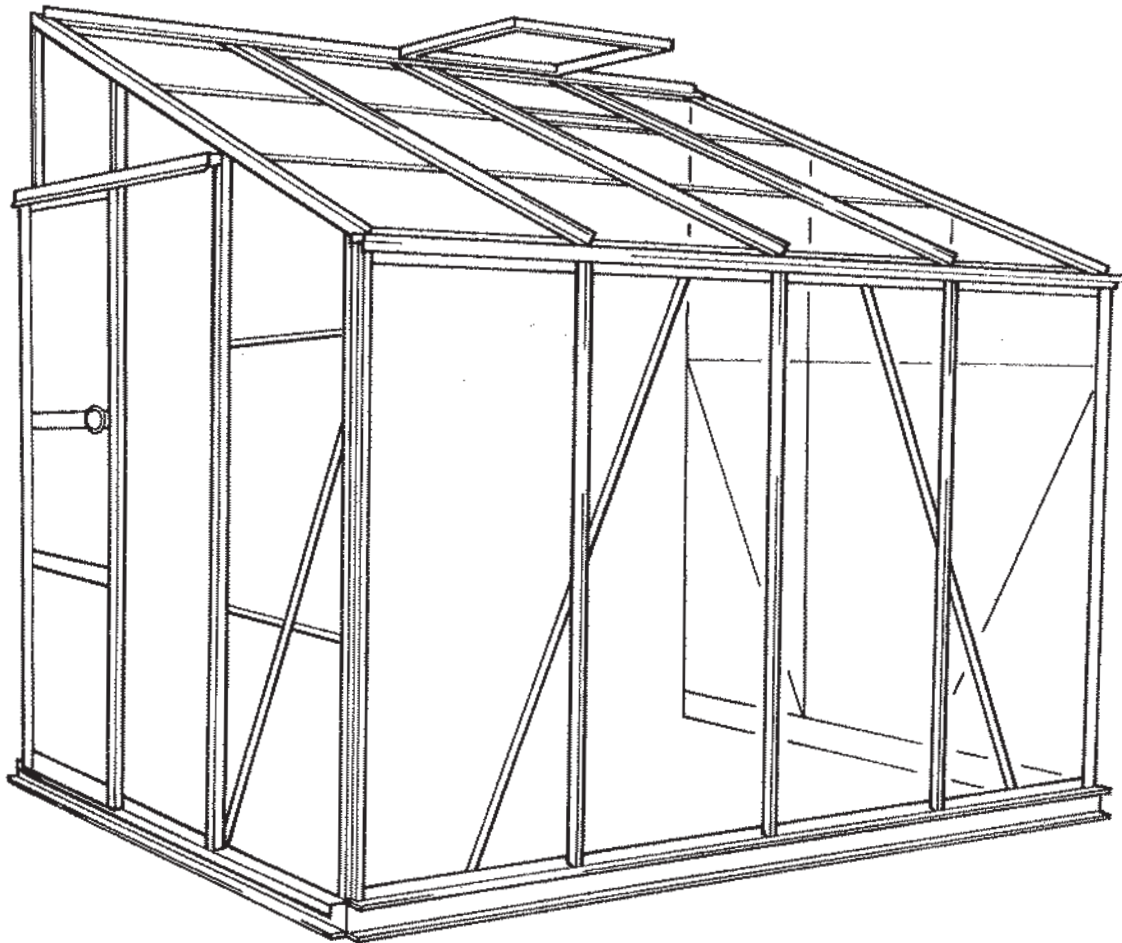




608/610/612 ALUMINIUM LEAN TO

ASSEMBLY INSTRUCTIONS



GLAZING SAFETY

Standard horticultural glass is the most cost-effective choice for your greenhouse, but has sharp edges and is dangerous if broken. Most greenhouses are available with safety glazing in polycarbonate or toughened glass and we strongly recommend you to choose one of these options, especially if the greenhouse is to be sited in a public location, or where young children may be present.

Customer Helpline 01242 678966 Opening Hours: Mon - Thurs 9.00 - 5.00 Fri 9.00 - 2.30

Introduction

TITLE	PAGE NO.
Foreword	1
Safety tips	1
User Notes	1
Assembly tips	1
Hygiene	1
Exploded view	2
Components lists	3-5
Profiles and fittings	6
Method of assembly	7

STAGES OF ASSEMBLY:

Assembly of front	8
Assembly of rear gable end	9
Assembly of door gable end	11
Fixing of gable ends to front section	14
Ridge bar, roof glazing bars and vent trimmer	15
Well fixing	16
Vent assembly	17
Glazing	18
Plastic end stops	18
Glazing plans	19
Door essembly	20

Foreword

Read through this manual carefully before beginning work. It is essential that the correct building procedure is followed to ensure that the greenhouse structure is safely and properly built.

NB: If you wish to achieve a watertight seal between greenhouse and wall (and possibly hardstanding) you will need to seal the joint with mastic (which is included in this kit).

Safety tips

1. Extreme care should be taken when handling glass.
2. When glazing it is advisable to wear some head protection, gloves and strong shoes - safety glasses are strongly recommended.
3. Do not, under any circumstances, climb stepladders whilst carrying glass - get an assistant to hand you each piece in turn.
4. When fixing glass into the aluminium sections with spring wire glazing clips, hold the clips in position with one hand and spring the legs of the clips into the retaining groove with the other.

PLEASE NOTE that the Spring Wire Glazing Clips are in a tensioned state during and after fitting. Great care should therefore be taken in seating them securely into the aluminium retaining groove.

5. Attention! Do not walk over the glazed roof as the glass panes and the frame are unable to withstand the weight.

User notes

1. Close and secure all windows and doors when strong winds are experienced or forecast.
2. Always replace immediately broken or damaged panes of glass.
3. Periodically lubricate the door rollers.
4. Always take great care when using a rotary mower in close proximity to the greenhouse as small stones can easily be thrown in the air and may break the glass.

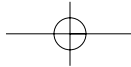
Assembly tips

All the following diagrams and illustrations are viewed from the inside of the greenhouse, unless otherwise stated. It is easier to construct the greenhouse by working from the inside.

Hygiene

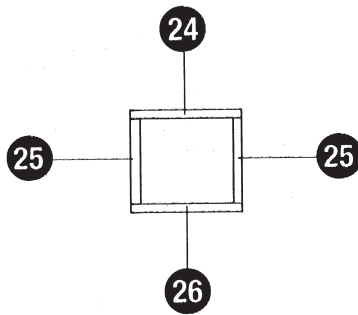
The greenhouse glass should be kept clean, to ensure the maximum amount of light can pass through to assist plant growth.

The framework should be sterilised each year to remove spores and diseases (Jeyes Fluid or similar is ideal for this purpose). All plant containers should be washed before use.

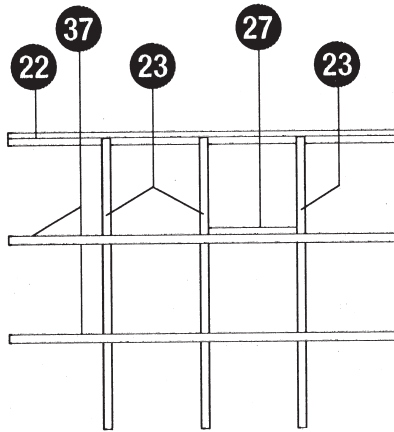


Exploded view

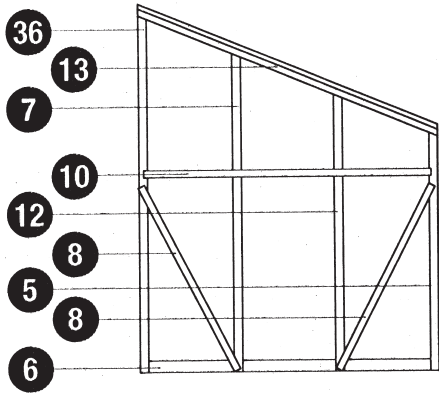
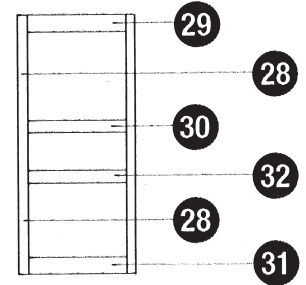
VENT



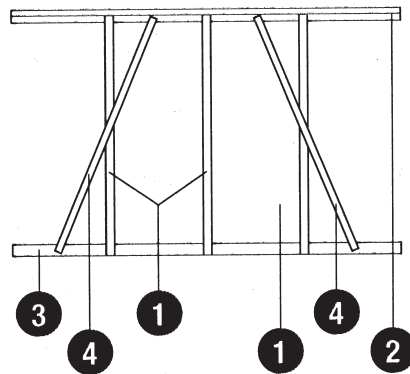
ROOF



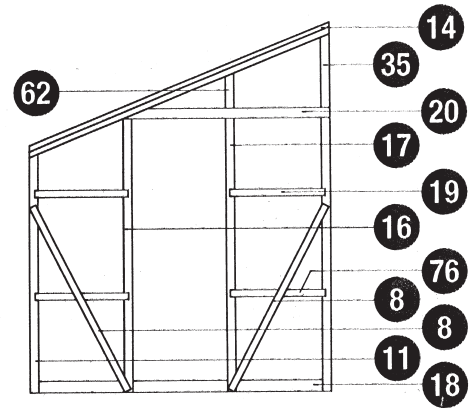
DOOR



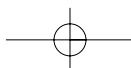
END GABLE



SIDE



DOOR GABLE



Lean To 608 Greenhouse

Pos. No.	Qty.	Description	Ref. No.	Length mm
01	03	Side glazing bar	SR053	1494
02	01	Gutter	RG026	2492
03	01	Base sill - side	SIL003	2492
04	02	Diagonal bracing - side	L032	1605
05	01	Corner post - right	T020	1494
06	01	Base sill - rear	SIL006	1848
07	01	Intermediate glazing bar - right	SR035	1985
08	04	Diagonal bracing - front & rear	L009	1320
09	02	Eaves gusset plate	F909	-
10	01	Horizontal brace - rear	L041	1832
11	01	Corner post - left	T020	1494
12	01	Inter glazing bar	SR033	1752
13	01	Gable bar - right	T009	2005
14	01	Gable bar - left	T009	2005
16	01	Door post - right	PC014	1752
17	01	Door post - left	PC014	1752
18	01	Base sill - front	SIL014	1848
19	01	Horizontal brace - front	L002	612
20	01	Door lintel & track	PB010	1230
22	01	Ridge bar	RB026	2492
23	03	Roof glazing bar	SR036	1995
24	01	Vent head	TV001	635
25	02	Vent side	TV030	606
26	01	Vent sill	TV027	610
27	01	Vent trimmer/stay keeper	TV016	638
28	02	Door stile	PC007	1700
29	01	Door rail - top	PA004	610
30	01	Door rail - centre	PA006	610
31	01	Door rail - bottom	PA009	610
32	01	Door rail - intermediate	PA006	610
33	01	Lintel support bracket	F833	-
34	01	Lintel end bracket	F834	-
35	01	Wall post - left	T016	2235
36	01	Wall post - right	T016	2235
37	02	Roof purlin	L044	2492
42	02	Glazing Strip	FGL010	-
43	80	'Z' clips	F212	-
44	222	Spring wire glazing clip	F112	-
45	01	Door seal	F905	-
46	02	Door roller with bolt & nut	F646	-
47	01	Door track closure - left	F647	-
47	01	Door track closure cap - right	F847	-
48	01	Door handle (pair)	F555	-
50	118	Square head bolt M6 x 12	F014	-
51	118	Hexagonal nut M6	F014	-
52	02	Door stop	F652	-
53	01	Rainwater outlet - left	F853	-
54	01	Rainwater outlet - right	F854	-
55	01	10mm spanner	F655	-
56	01	Assembly instructions	FM045	-
58	01	Mastic wall seal	F908	-
62	01	Front glazing bar	SR021	235
72	01	Casement stay	F657	-
73	02	Casement stay screws	F657	-
76	02	Flat horizontal brace	M007	612

Lean To 608 Greenhouse Royale

Pos. No.	Qty.	Description	Ref. No.	Length mm
01	03	Side glazing bar	SR053	1494
02	01	Gutter	RG026	2492
03	01	Integral base - side	TB003	2492
04	02	Diagonal bracing - side	L032	1605
05	01	Corner post - right	T020	1494
06	01	Integral base - rear	TB010	1848
07	01	Intermediate glazing bar - right	SR035	1985
08	04	Diagonal bracing - front & rear	L009	1320
09	02	Eaves gusset plate	F909	-
10	01	Horizontal brace - rear	L041	1832
11	01	Corner post - left	T020	1494
12	01	Inter glazing bar	SR033	1752
13	01	Gable bar - right	T009	2005
14	01	Gable bar - left	T009	2005
16	01	Door post - right	PC014	1752
17	01	Door post - left	PC014	1752
18	01	Integral base - front	TB021	1848
19	02	Horizontal brace - front	L002	612
20	01	Door lintel & track	PB010	1230
22	01	Ridge bar	RB026	2492
23	03	Roof glazing bar	SR036	1995
24	01	Vent head	TV001	635
25	02	Vent side	TV030	606
26	01	Vent sill	TV027	610
27	01	Vent trimmer/stay keeper	TV016	638
28	02	Door stile	PC015	1715
29	01	Door rail - top	PA004	610
30	01	Door rail - centre	PA006	610
31	01	Door rail - bottom	PA007	610
32	01	Door rail - intermediate	PA006	610
33	01	Lintel support bracket	F833	-
34	01	Lintel end bracket	F834	-
35	01	Wall post - left	T016	2235
36	01	Wall post - right	T016	2235
37	02	Roof purlin	L044	2492
42	02	Glazing Strip	FGL010	-
43	80	'Z' clips	F212	-
44	222	Spring wire glazing clip	F112	-
45	01	Door seal	F905	-
46	02	Door roller with bolt & nut	F646	-
47	01	Door track closure cap - left	F647	-
47	01	Door track closure cap - right	F847	-
48	01	Door handle (pair)	F555	-
50	118	Square head bolt M6 x 12	F014	-
51	118	Hexagonal nut M6	F014	-
52	02	Door stops	F652	-
53	01	Rainwater outlet - left	F853	-
54	01	Rainwater outlet - right	F854	-
55	01	10mm spanner	F655	-
56	01	Assembly instructions	FM045	-
58	01	Mastic wall seal	F908	-
59	02	Black pvc blocks	F859	-
60	04	Starlock washers	F860	-
62	01	Front glazing bar	SR021	235
64	02	Ground anchors	F952	-
72	01	Casement stay	F657	-
73	02	Casement stay screws	F657	-
76	02	Flat horizontal brace	M007	612
89	02	Base/ Wall plate	F560	-

Lean To 610 Greenhouse

Pos. No.	Qty.	Description	Ref. No.	Length mm
01	04	Side glazing bar	SR053	1494
02	01	Gutter	RG027	3110
03	01	Base sill - side	SIL022	3110
04	02	Diagonal bracing - side	L032	1605
05	01	Corner post - right	T020	1494
06	01	Base sill - rear	SIL006	1848
07	01	Intermediate glazing bar - right	SR035	1985
08	04	Diagonal bracing - front & rear	L009	1320
09	02	Eaves gusset plate	F909	-
10	01	Horizontal brace - rear	L041	1832
11	01	Corner post - left	T020	1494
12	01	Inter glazing bar	SR033	1752
13	01	Gable bar - right	T009	2005
14	01	Gable bar - left	T009	2005
16	01	Door post - right	PC014	1752
17	01	Door post - left	PC014	1752
18	01	Base sill - front	SIL014	1848
19	02	Horizontal brace - front	L002	612
20	01	Door lintel & track	PB010	1230
22	01	Ridge bar	RB027	3110
23	04	Roof glazing bar	SR036	1995
24	02	Vent head	TV001	635
25	04	Vent side	TV030	606
26	02	Vent sill	TV027	610
27	02	Vent trimmer/stay keeper	TV016	638
28	02	Door stile	PC007	1700
29	01	Door rail - top	PA004	610
30	01	Door rail - centre	PA006	610
31	01	Door rail - bottom	PA009	610
32	01	Door rail - intermediate	PA006	610
33	01	Lintel support bracket	F833	-
34	01	Lintel end bracket	F834	-
35	01	Wall post - left	T016	2235
36	01	Wall post - right	T016	2235
37	02	Roof purlin	L045	3110
42	02	Glazing Strip	FGL010	-
43	90	'Z' clips	F213	-
44	250	Spring wire glazing clip	F113	-
45	01	Door seal	F905	-
46	02	Door roller with bolt & nut	F646	-
47	01	Door track closure cap - left	F647	-
47	01	Door track closure cap - right	F847	-
48	01	Door handle (pair)	F555	-
50	129	Square head bolt M6 x 12	F004	-
51	129	Hexagonal nut M6	F004	-
52	02	Door stop	F652	-
53	01	Rainwater outlet - left	F853	-
54	01	Rainwater outlet - right	F854	-
55	01	10mm spanner	F655	-
56	01	Assembly instructions	FM045	-
58	01	Mastic wall sea	F908	-
62	01	Front glazing bar	SR021	235
72	02	Casement stay	F657	-
73	04	Casement stay screws	F657	-
76	02	Flat horizontal brace	M007	612

Lean To 610 Greenhouse Royale

Pos. No.	Qty.	Description	Ref. No.	Length mm
01	04	Side glazing bar	SR053	1494
02	01	Gutter	RG027	3110
03	01	Integral base - side	TB004	3110
04	02	Diagonal bracing - side	L032	1605
05	01	Corner post - right	T020	1494
06	01	Integral base - rear	TB010	1848
07	01	Intermediate glazing bar - right	SR035	1985
08	04	Diagonal bracing - front & rear	L009	1320
09	02	Eaves gusset plate	F909	-
10	01	Horizontal brace - rear	L041	1832
11	01	Corner post - left	T020	1494
12	01	Inter glazing bar	SR033	1752
13	01	Gable bar - right	T009	2005
14	01	Gable bar - left	T009	2005
16	01	Door post - right	PC014	1752
17	01	Door post - left	PC014	1752
18	01	Integral base - front	TB021	1848
19	02	Horizontal brace - front	L002	612
20	01	Door lintel & track	PB010	1230
22	01	Ridge bar	RB027	3110
23	04	Roof glazing bar	SR036	1995
24	02	Vent head	TV001	635
25	04	Vent side	TV030	606
26	02	Vent sill	TV027	610
27	02	Vent trimmer/stay keeper	TV016	638
28	02	Door stile	PC015	1715
29	01	Door rail - top	PA004	610
30	01	Door rail - centre	PA006	610
31	01	Door rail - bottom	PA007	610
32	01	Door rail - intermediate	PA006	610
33	01	Lintel support bracket	F833	-
34	01	Lintel end bracket	F834	-
35	01	Wall post - left	T016	2235
36	01	Wall post - right	T016	2235
37	02	Roof purlin	L045	3110
42	02	Glazing Strip	FGL010	-
43	90	'Z' clips	F213	-
44	250	Spring wire glazing clip	F113	-
45	01	Door seal	F905	-
46	02	Door roller with bolt & nut	F646	-
47	01	Door track closure cap - left	F647	-
47	01	Door track closure cap - right	F847	-
48	01	Door handle (pair)	F555	-
50	129	Square head bolt M6 x 12	F004	-
51	129	Hexagonal nut M6	F004	-
52	02	Door stop	F652	-
53	01	Rainwater outlet - left	F853	-
54	01	Rainwater outlet - right	F854	-
55	01	10mm spanner	F655	-
56	01	Assembly instructions	FM045	-
58	01	Mastic wall seal	F908	-
59	02	Black pvc block	F859	-
60	04	Starlock washers	F860	-
62	01	Front glazing bar	SR021	235
64	02	Ground anchors	F952	-
72	02	Casement stay	F657	-
73	04	Casement stay screws	F657	-
76	02	Flat horizontal brace	M007	612
89	02	Base/Wall plate	F560	-

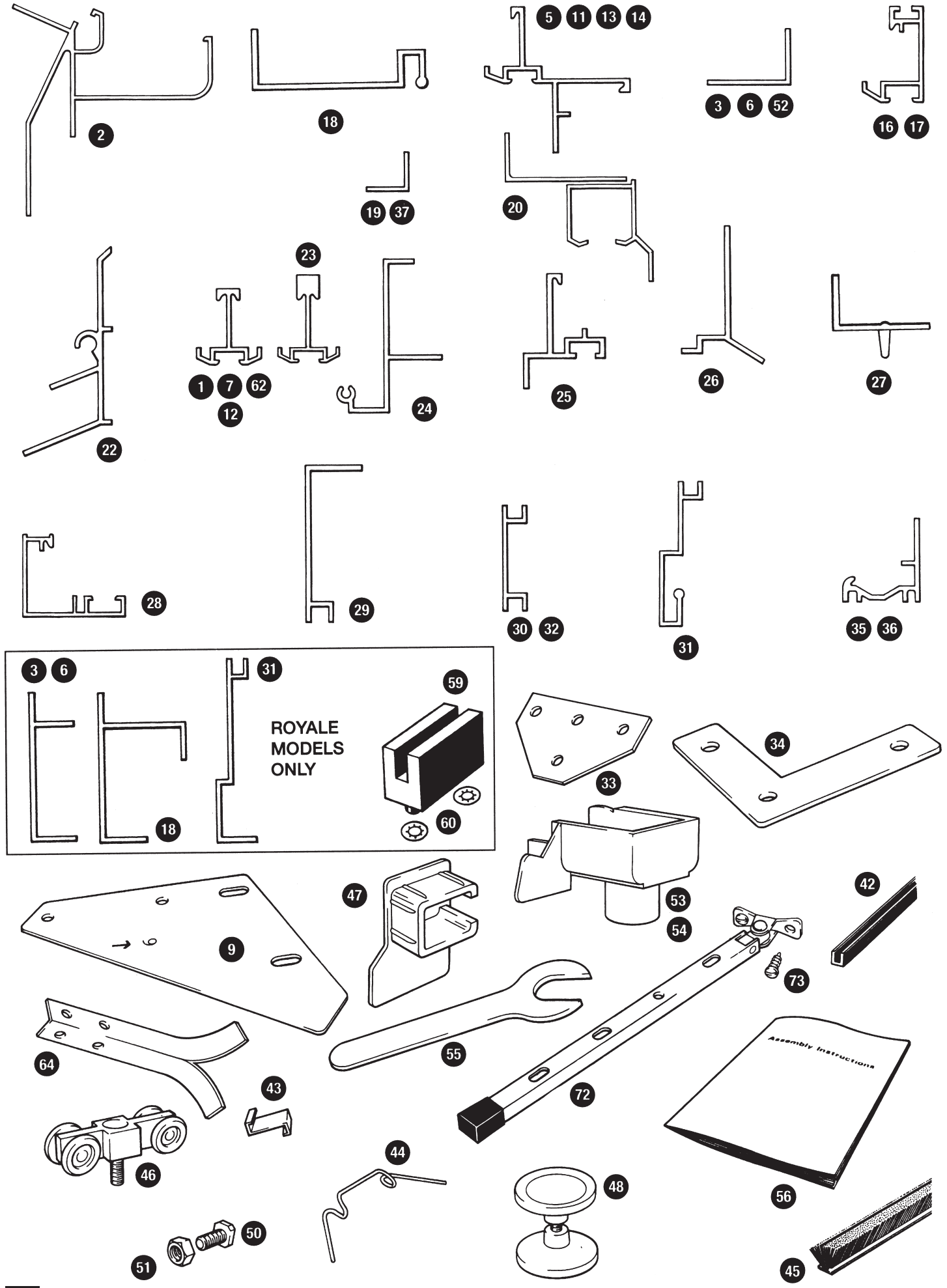
Lean To 612 Greenhouse

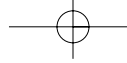
Pos. No.	Qty.	Description	Ref. No.	Length mm
01	05	Side glazing bar	SR053	1494
02	01	Gutter	RG028	3728
03	01	Base sill - side	SIL023	3728
04	02	Diagonal bracing - side	L032	1605
05	01	Corner post - right	T020	1494
06	01	Base sill - rear	SIL006	1848
07	01	Intermediate glazing bar - right	SR035	1985
08	04	Diagonal bracing - front & rear	L009	1320
09	02	Eaves gusset plate	F909	-
10	01	Horizontal brace - rear	L041	1832
11	01	Corner post - left	T020	1494
12	01	Inter glazing bar	SR033	1752
13	01	Gable bar - right	T009	2005
14	01	Gable bar - left	T009	2005
16	01	Door post - right	PC014	1752
17	01	Door post - left	PC014	1752
18	01	Base sill - front	SIL014	1848
19	02	Horizontal brace - front	L002	612
20	01	Door lintel & track	PB010	1230
22	01	Ridge bar	RB028	3728
23	05	Roof glazing bar	SR036	1995
24	02	Vent head	TV001	635
25	04	Vent side	TV030	606
26	02	Vent sill	TV027	610
27	02	Vent trimmer/stay keeper	TV016	638
28	02	Door stile	PC007	1700
29	01	Door rail - top	PA004	610
30	01	Door rail - centre	PA006	610
31	01	Door rail - bottom	PA009	610
32	01	Door rail - intermediate	PA006	610
33	01	Lintel support bracket	F833	-
34	01	Lintel end bracket	F834	-
35	01	Wall post - left	T016	2235
36	01	Wall post - right	T016	2235
37	02	Roof purlin	L046	3728
42	02	Glazing Strip	FGL010	-
43	100	'Z' clips	F214	-
44	278	Spring wire glazing clip	F114	-
45	01	Door seal	F905	-
46	02	Door roller with bolt & nut	F646	-
47	01	Door track closure cap - left	F647	-
47	01	Door track closure cap - right	F847	-
48	01	Door handle (pair)	F555	-
50	136	Square head bolt M6 x 12	F018	-
51	136	Hexagonal nut M6	F018	-
52	02	Door stop	F652	-
53	01	Rainwater outlet - left	F853	-
54	01	Rainwater outlet - right	F854	-
55	01	10mm spanner	F655	-
56	01	Assembly instructions	FM045	-
58	01	Mastic wall seal	F908	-
62	01	Front glazing bar	SR021	235
72	02	Casement stay	F657	-
73	04	Casement stay screws	F657	-
76	02	Flat horizontal brace	M007	612

Lean To 612 Greenhouse Royale

Pos. No.	Qty.	Description	Ref. No.	Length mm
01	05	Side glazing bar	SR053	1494
02	01	Gutter	RG028	3728
03	01	Integral base - side	TB005	3728
04	02	Diagonal bracing - side	L032	1605
05	01	Corner post - right	T020	1494
06	01	Integral base - rear	TB010	1848
07	01	Intermediate glazing bar - right	SR035	1985
08	04	Diagonal bracing - front & rear	L009	1320
09	02	Eaves gusset plate	F909	-
10	01	Horizontal brace - rear	L041	1832
11	01	Corner post - left	T020	1494
12	01	Inter glazing bar	SR033	1752
13	01	Gable bar - right	T009	2005
14	01	Gable bar - left	T009	2005
16	01	Door post - right	PC014	1752
17	01	Door post - left	PC014	1752
18	01	Integral base - front	TB021	1848
19	01	Horizontal brace - front	L002	612
20	01	Door lintel & track	PB010	1230
22	01	Ridge bar	RB028	3728
23	05	Roof glazing bar	SR036	1995
24	02	Vent head	TV001	635
25	04	Vent side	TV030	606
26	02	Vent sill	TV027	610
27	02	Vent trimmer/stay keeper	TV016	638
28	02	Door stile	PC015	1715
29	01	Door rail - top	PA004	610
30	01	Door rail - centre	PA006	610
31	01	Door rail - bottom	PA007	610
32	01	Door rail - intermediate	PA006	610
33	01	Lintel support bracket	F833	-
34	01	Lintel end bracket	F834	-
35	01	Wall post - left	T016	2235
36	01	Wall post - right	T016	2235
37	02	Roof purlin	L046	3728
42	02	Glazing Strip	FGL010	-
43	100	'Z' clips	F214	-
44	278	Spring wire glazing clip	F114	-
45	01	Door seal	F905	-
46	02	Door roller with bolt & nut	F646	-
47	01	Door track closure cap - left	F647	-
47	01	Door track closure cap - right	F847	-
48	01	Door handle (pair)	F555	-
50	136	Square head bolt M6 x 12	F018	-
51	136	Hexagonal nut M6	F018	-
52	02	Door stop	F652	-
53	01	Rainwater outlet - left	F853	-
54	01	Rainwater outlet - right	F854	-
55	01	10mm spanner	F655	-
56	01	Assembly instructions	FM045	-
58	01	Mastic wall seal	F908	-
59	02	Black pvc block	F859	-
60	04	Starlock washers	F860	-
62	01	Front glazing bar	SR021	235
64	02	Ground anchors	F952	-
72	02	Casement stay	F657	-
73	04	Casement stay screws	F657	-
76	02	Flat horizontal brace	M007	612
89	02	Base/Wall plate	F560	-

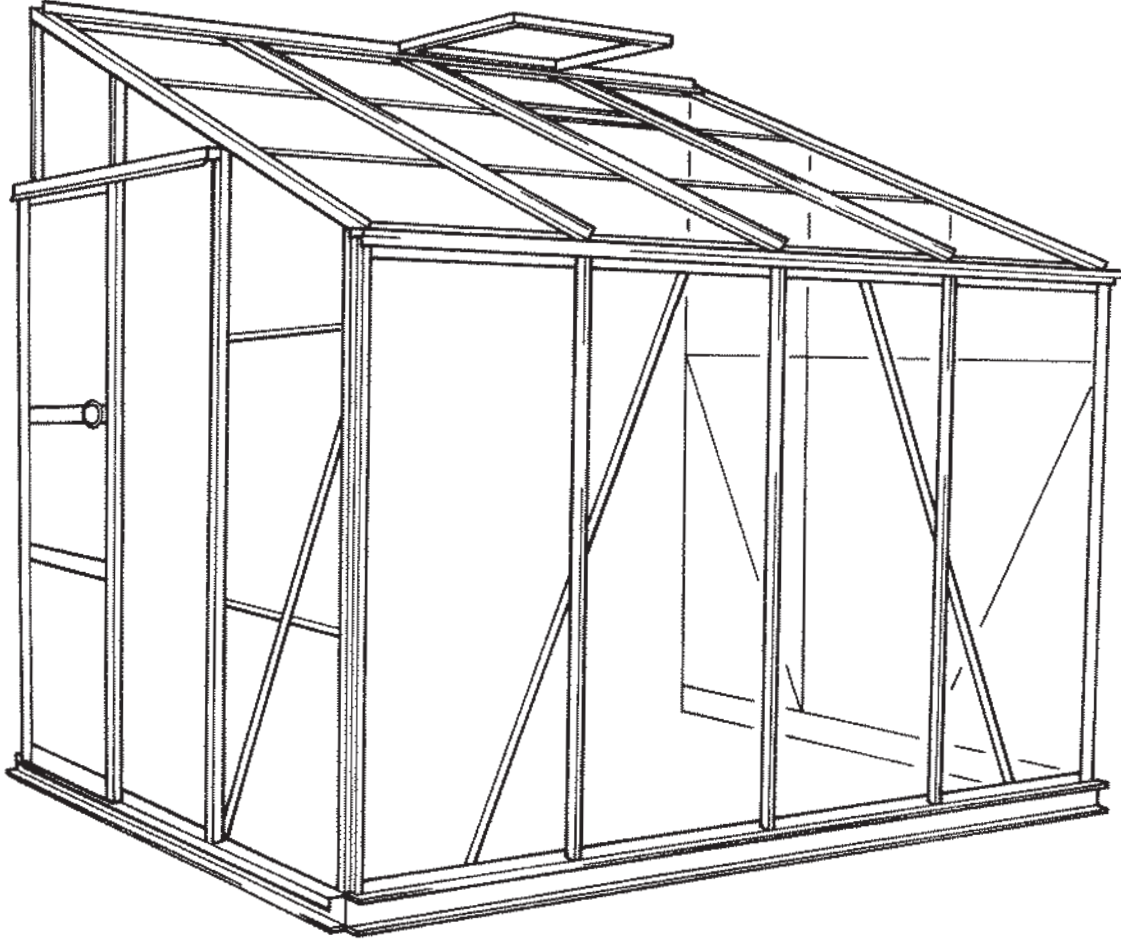
Profiles and fittings - Component identification



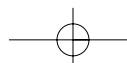
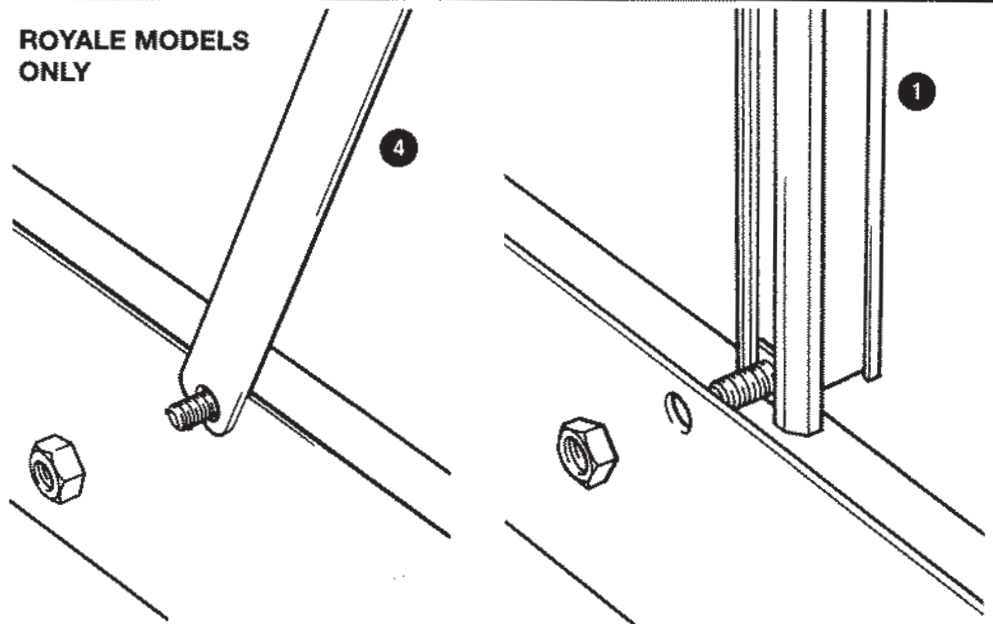


Method of assembly

1. Before starting assembly, check against the components list shown to ensure that everything is there.
2. At this early stage it's useful to fit the glazing cord onto the roof glazing bars and gables before starting assembly.



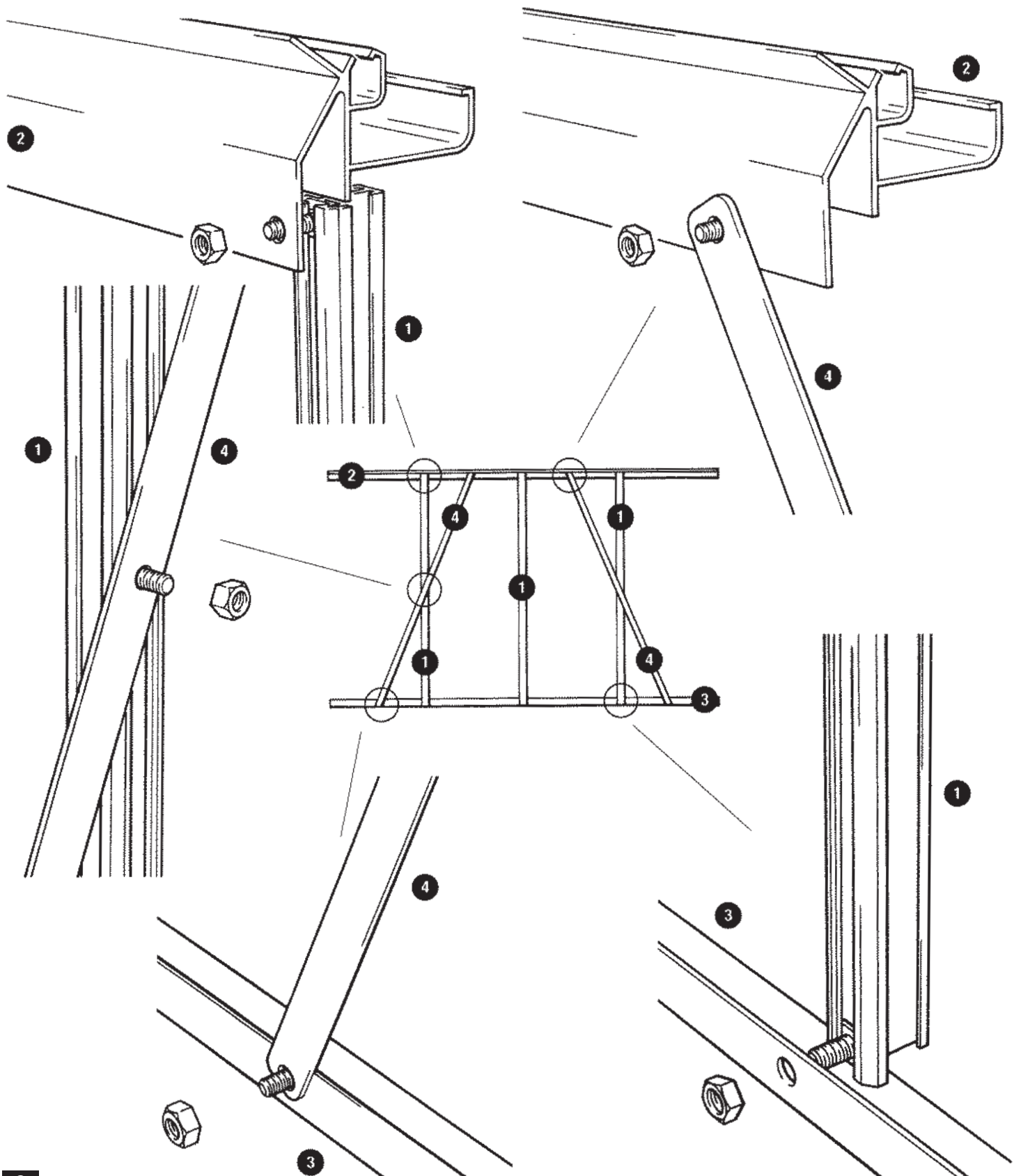
**ROYALE MODELS
ONLY**



Assembly of front

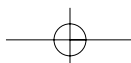
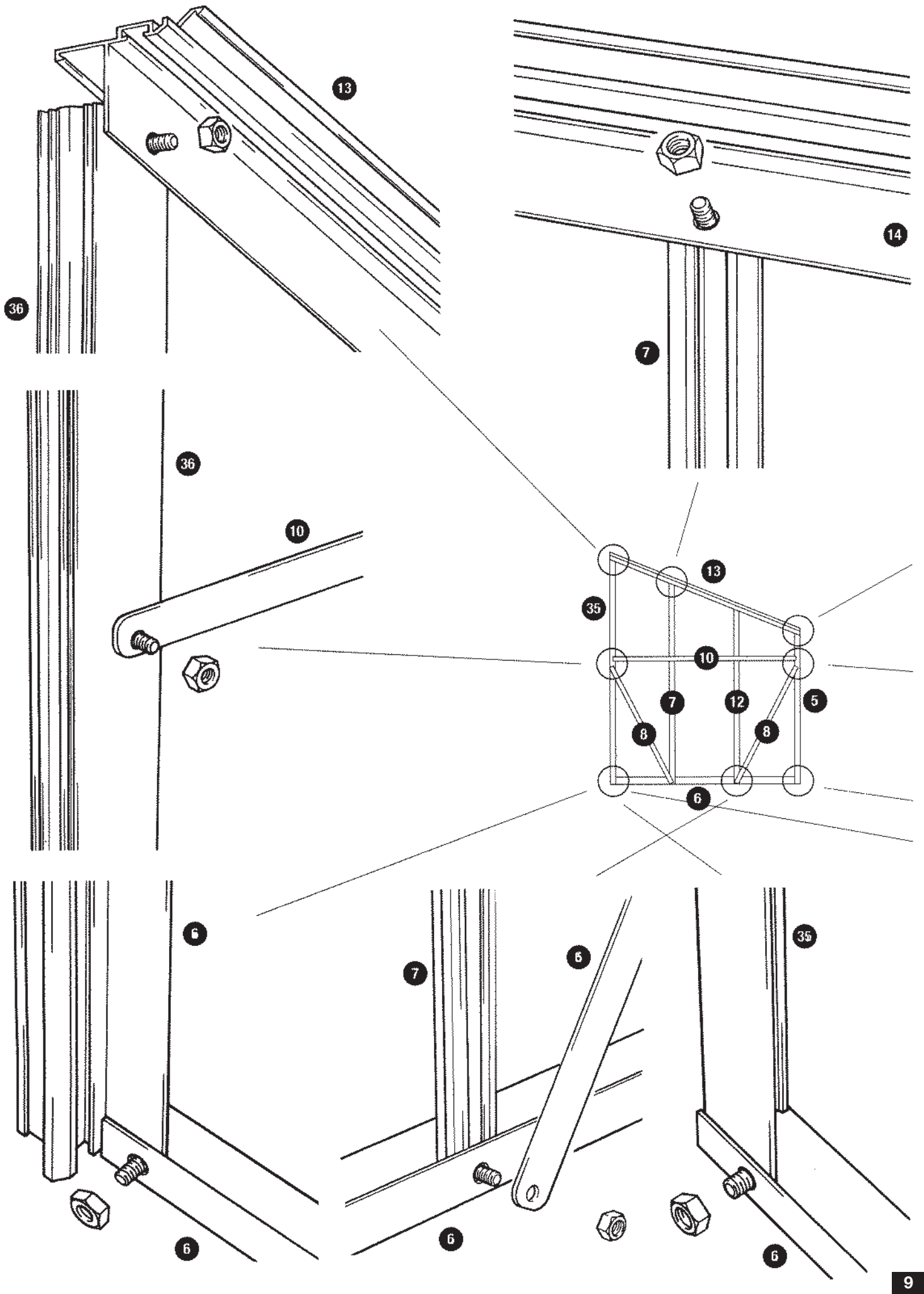
This will run parallel with the wall of your house.

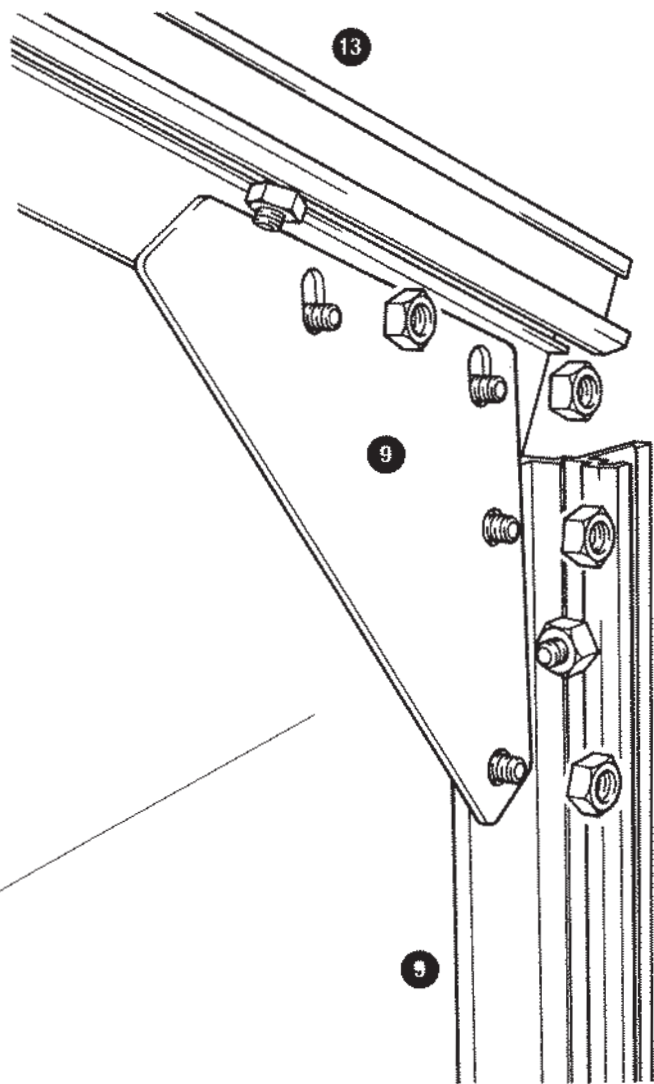
1. Set out components for side as shown in diagram below.
2. Slide two bolts into the channel at the back of the side glazing bars (1) and connect to base side (3) and eaves bar (2) (gutter). Ensure that a bolt is provided in each outside glazing bar to fasten bracing where it crosses glazing bar.
3. Bolt side diagonal braces (4) to base side (3) and eaves bar gutter (2). These should cross the glazing bars and be secured by the centrally positioned bolts.





Assembly of Rear gable end





1. We would advise you to assemble the rear gable end first, followed by the door gable end. These instructions describe the assembly of a lean to with a door fitted in the left hand gable. The same principles apply when fitting door in right hand gable.

2. Set out components for rear gable end as shown in diagram.

3. Bolt corner post (5) to base sill (6) (finger tight).

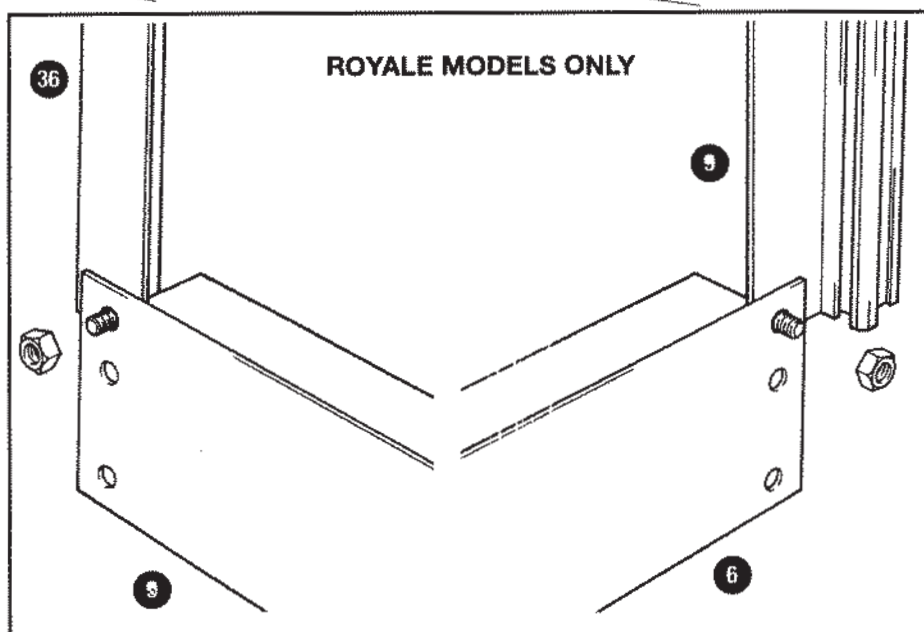
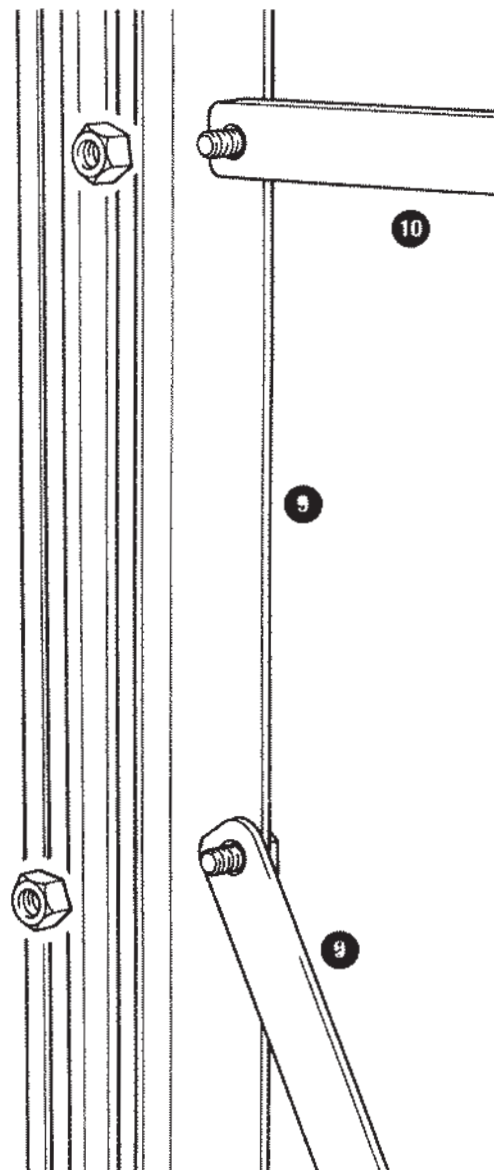
4. Bolt wall post (36) to base sill (6) (finger tight).

5. Slide three bolts into the bolt channels in the glazing bars (7) and (12) and connect lowermost bolt to sill/base (6).

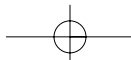
6. Loosely attach gusset plate (9) to inside of corner post (point 1) and gable bar. Fit horizontal (10) and diagonal braces (8) onto fixing bolts and secure with nuts.

7. Secure gable bar (13) to outside flange of wall post.

8. Check that the whole assembly is true and then fully tighten all nuts and bolts.



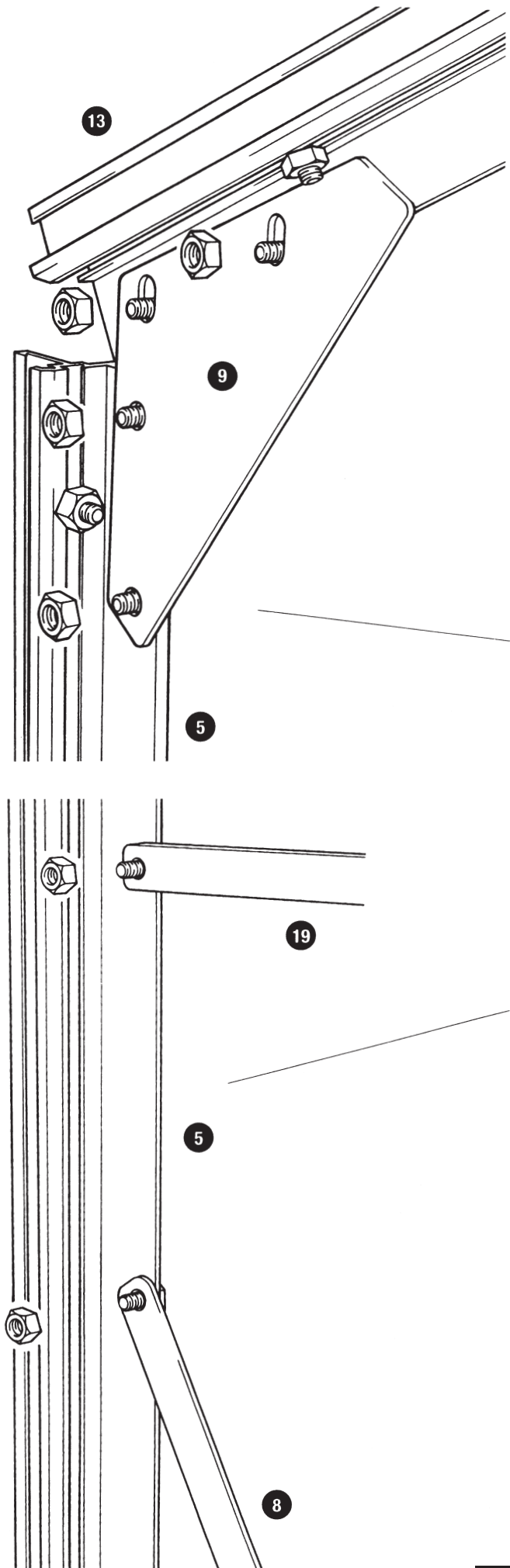
10

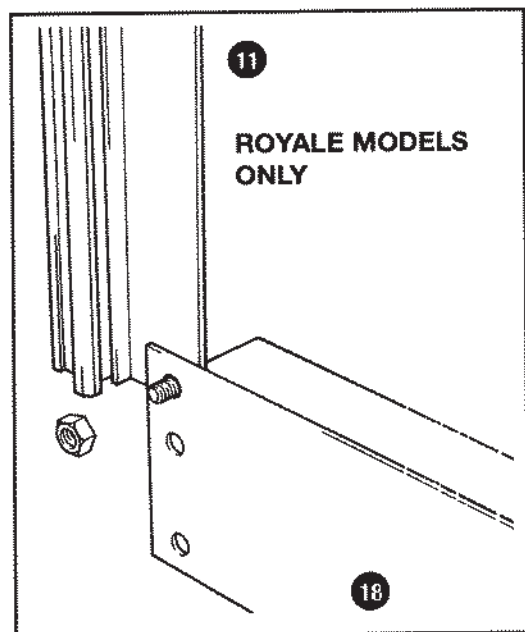
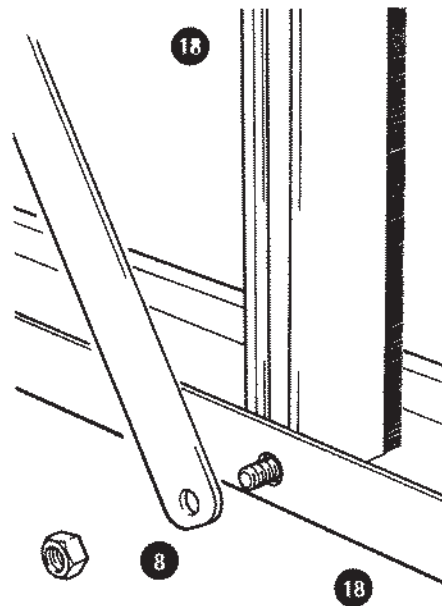
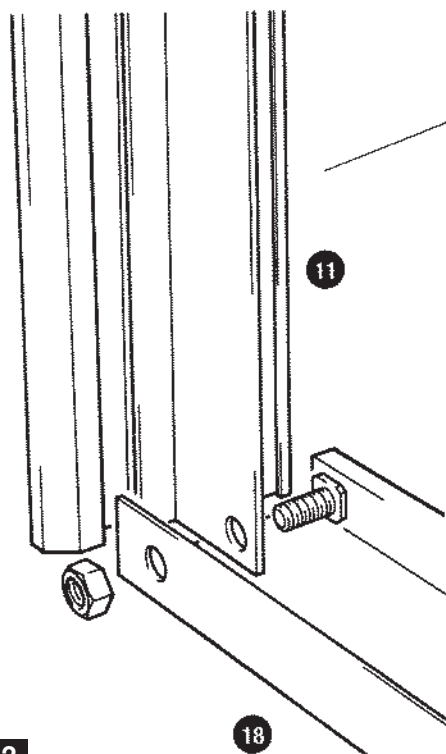
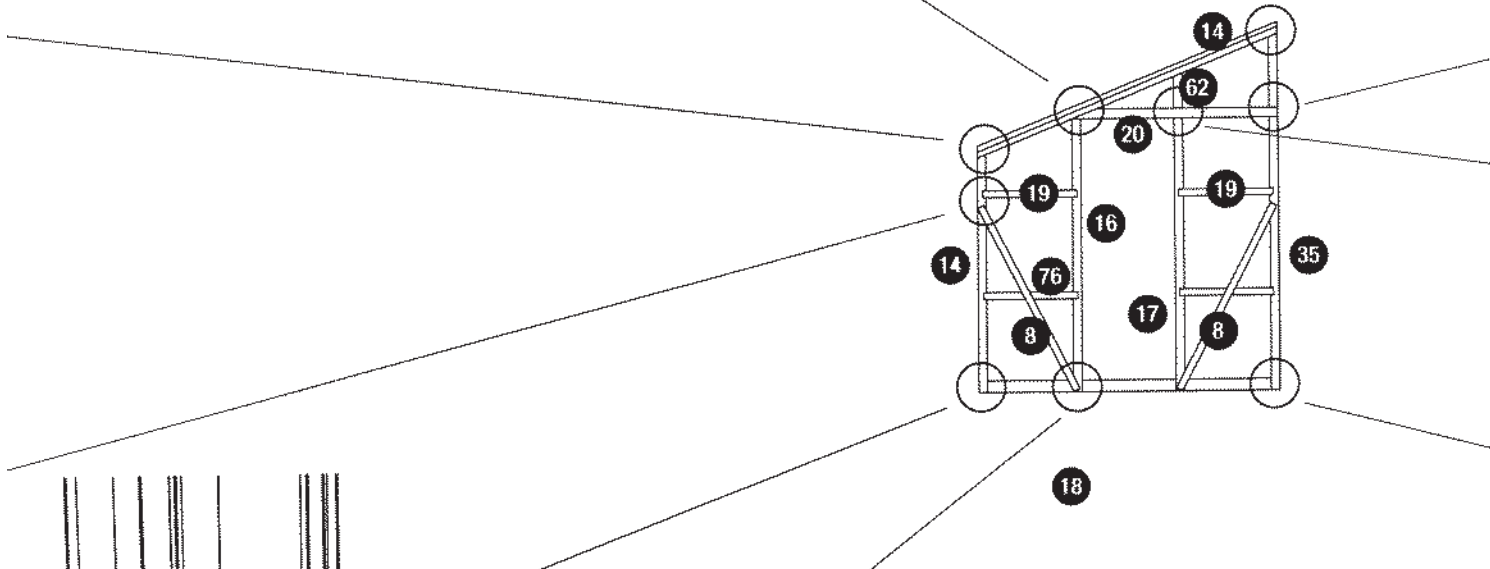
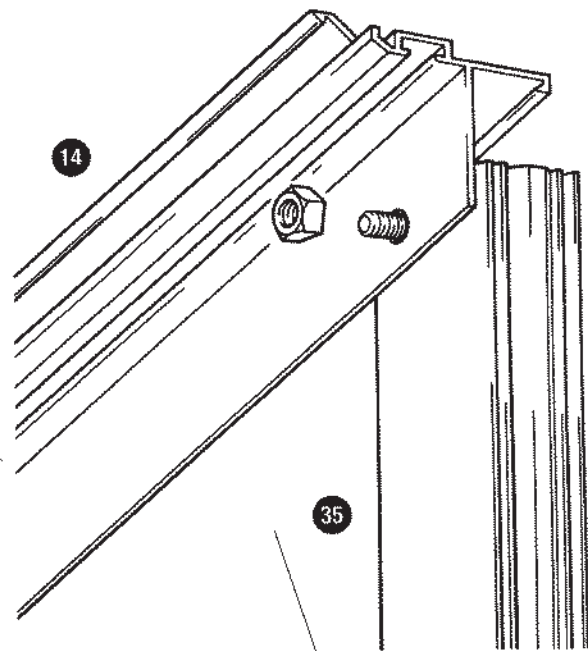
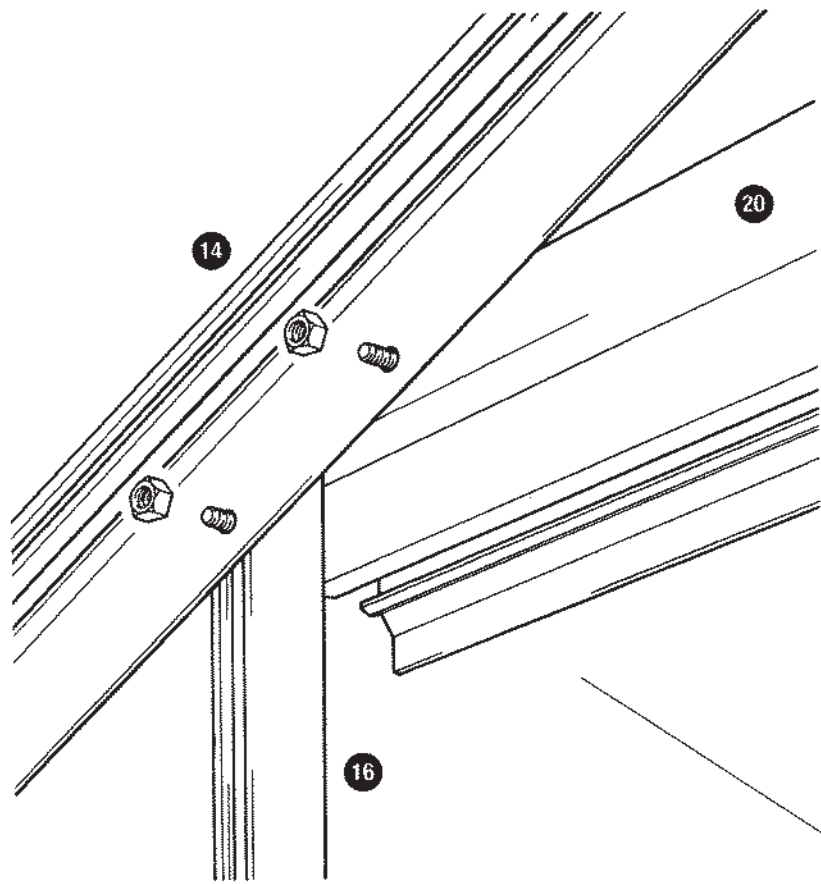


Assembly of Door gable end

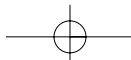
The assembly procedure for this is similar to that for the rear gable end. You will note from the layout that the door gable end features a lintel and door track (20). Slide door seal (45) into retaining channel in door posts (16) and (17).

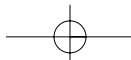
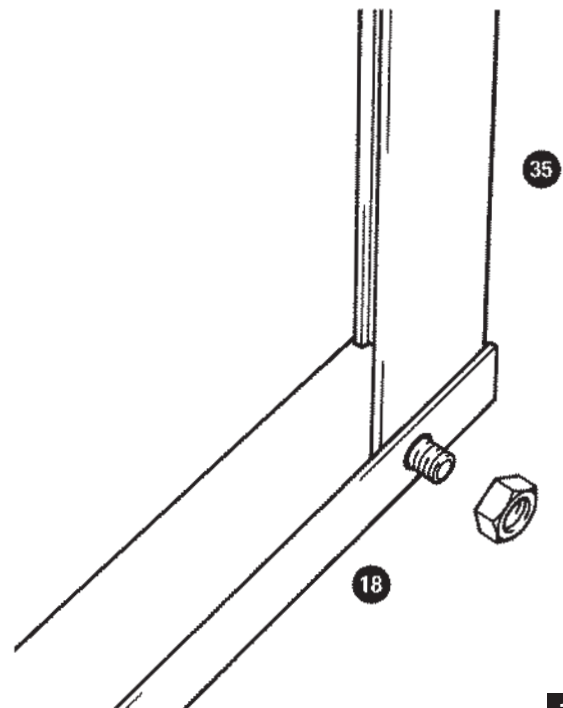
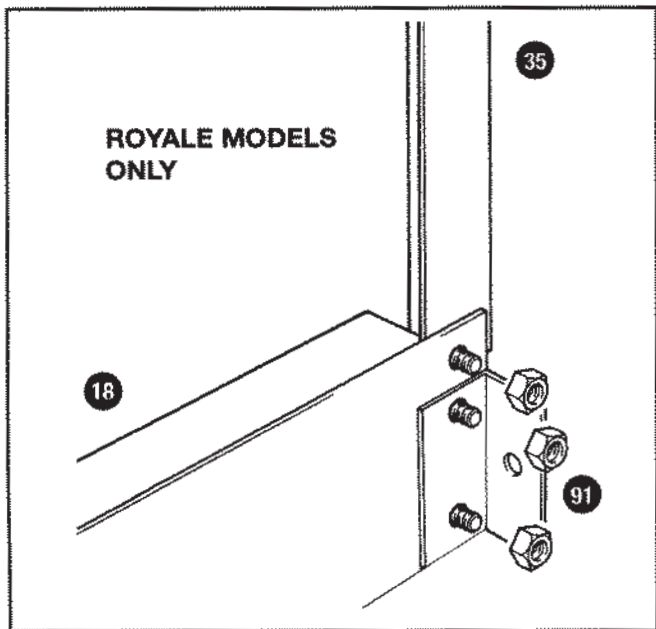
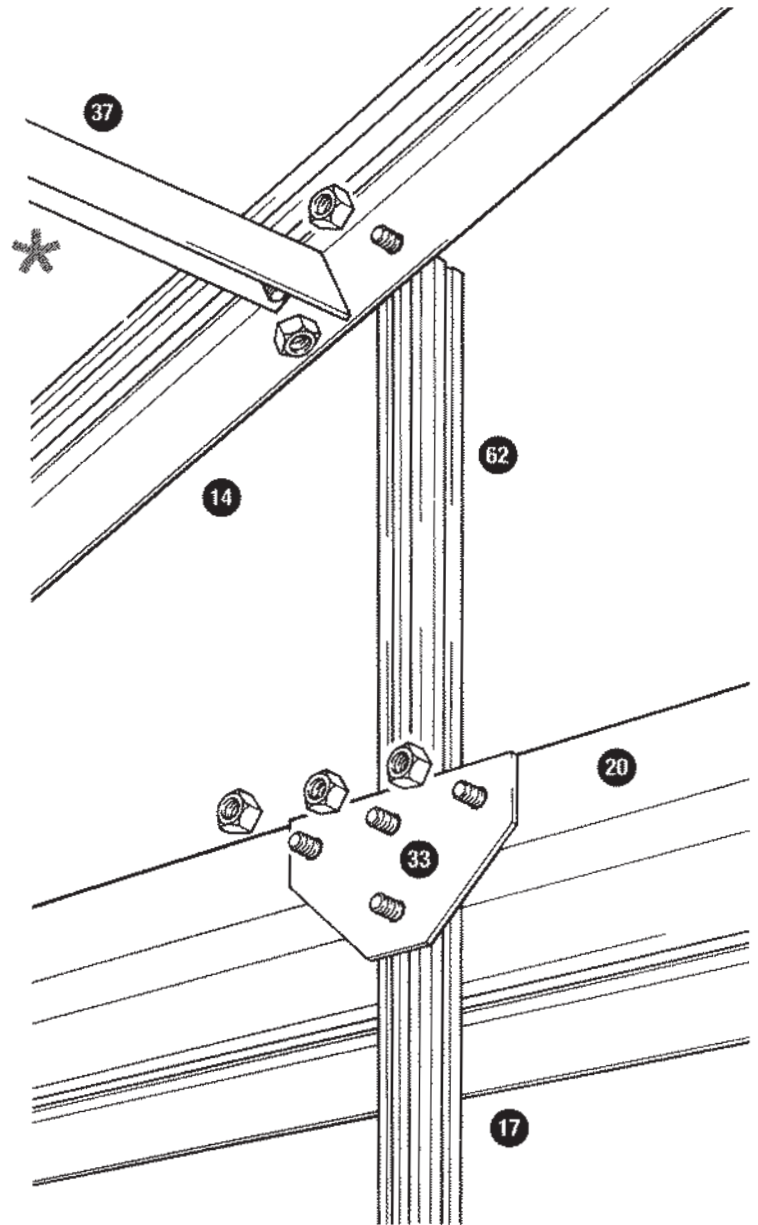
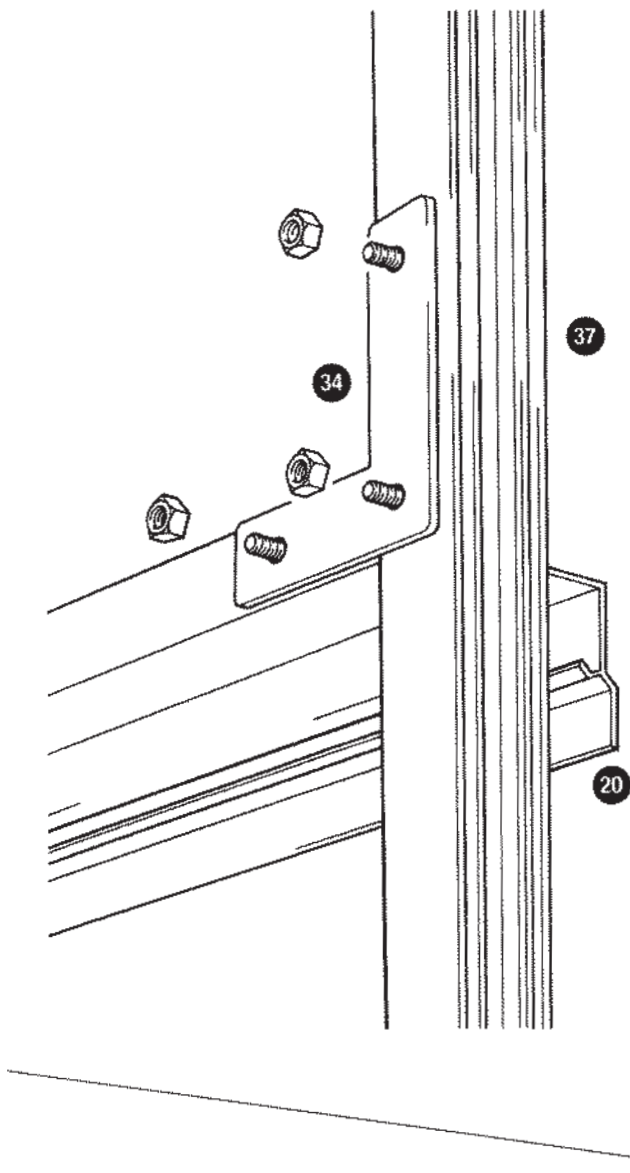
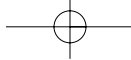
1. Locate two bolts through holes in wall post (36) to locate with lintel and door track (20).
2. Slide two bolts into channel of door posts (16) and (17) to locate with horizontal braces (19) and (76).
3. Position 6 bolts into holes of corner post (11), using lowermost bolt to connect corner post to base sill (18) (finger tight).
4. Bolt wall post (36) to base sill (18) (finger tight).
5. Bolt door post (16) and diagonal brace (8) to base sill (finger tight).
6. Loosely attach gusset plate (9) to top of corner post.
7. Fit free end of diagonal brace (8) onto fixing bolts and secure with nuts.
8. Also connect horizontal brace (19) & (76) to door posts (16) and (17) and corner post (11) and wallpost (36).
9. Secure gable bar (14) to gusset plate (9) with two bolts and nuts and to outside flange of wall post. Connect to door post
10. Loosely attach lintel end bracket (34) to wall post (36).
11. Offer door lintel (20) into position and secure through pre-punched hole to gable bar (14). Align lintel end bracket (34) with pre-punched hole in lintel and fasten with bolt and nut.
12. Connect lintel support bracket (33) to lintel using three bolts as shown in diagram (finger tight).
13. Connect front glazing bar (62) to gable bar (14) and lintel support bracket (33). Finally connect top of door post (17) to lintel support bracket.
14. Check that the whole assembly is true and then fully tighten all nuts and bolts.





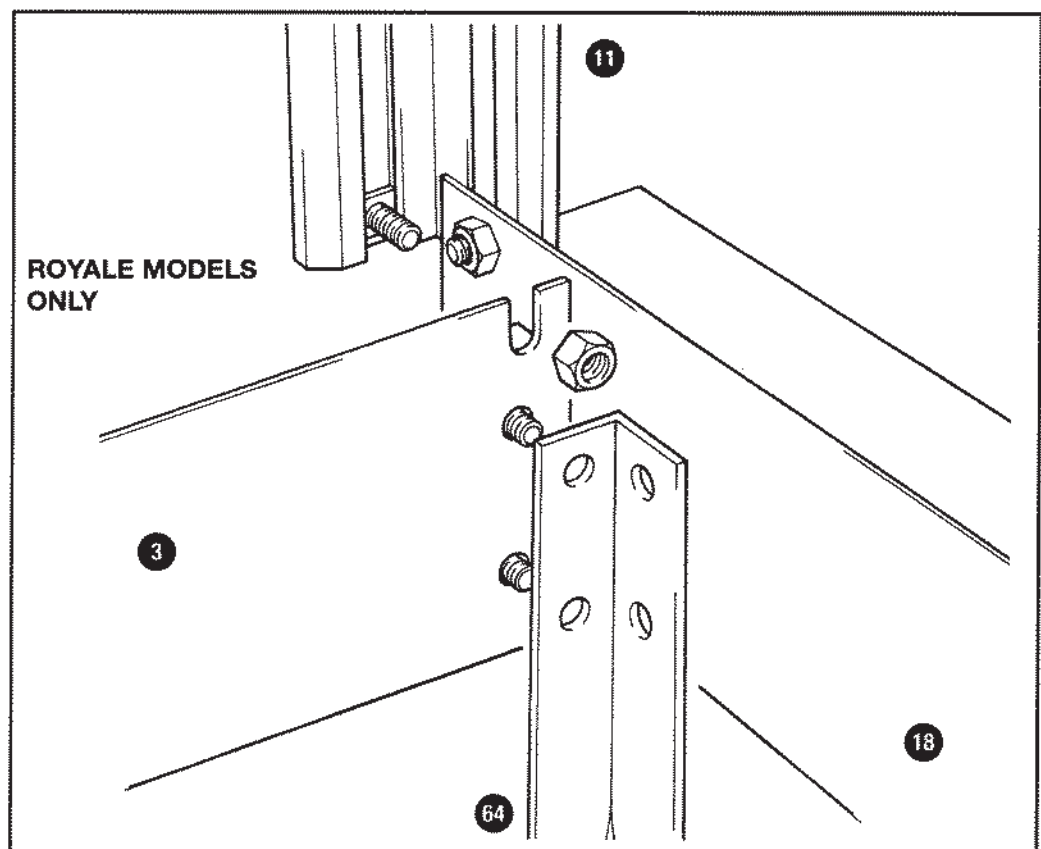
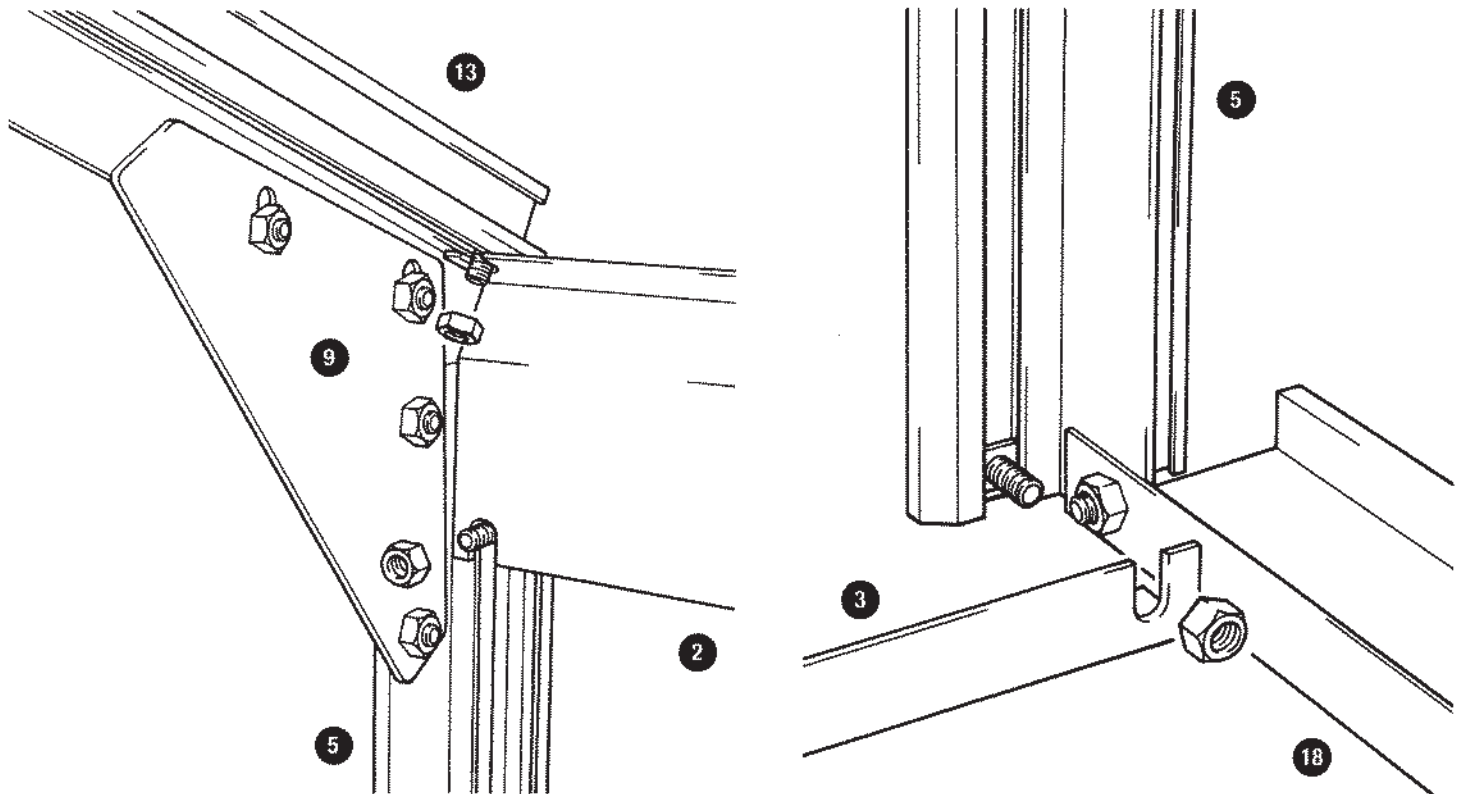
12





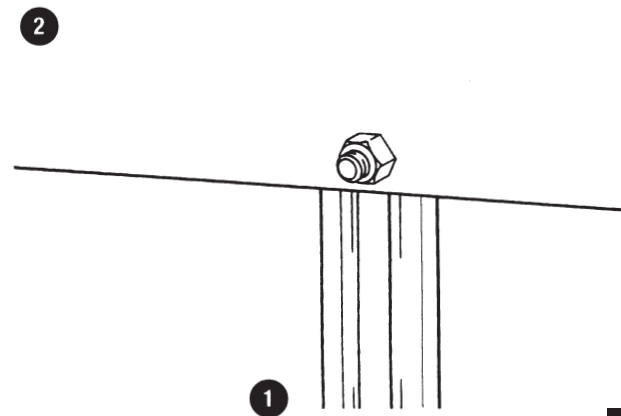
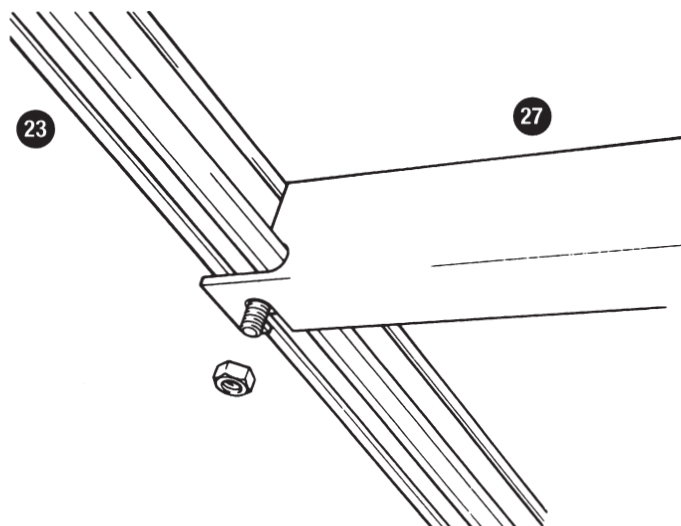
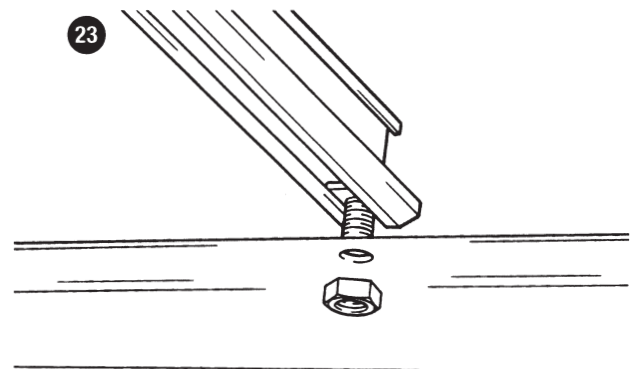
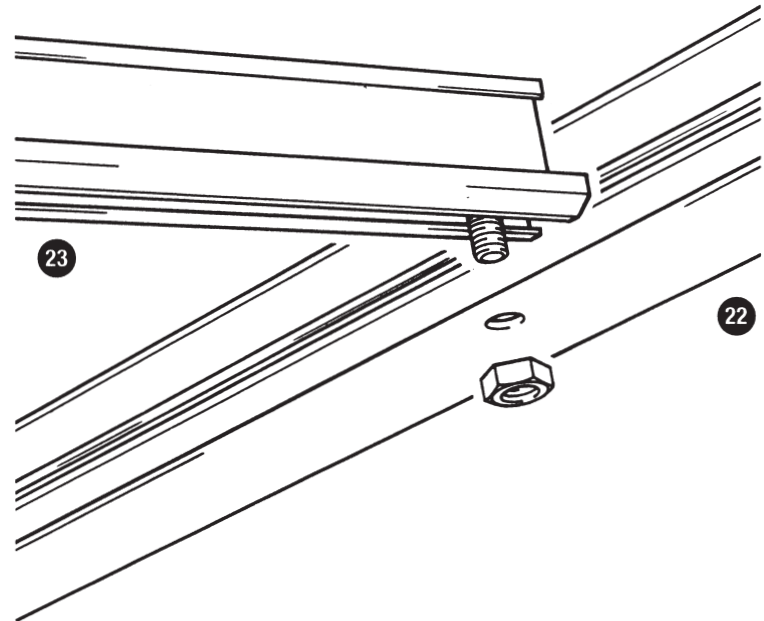
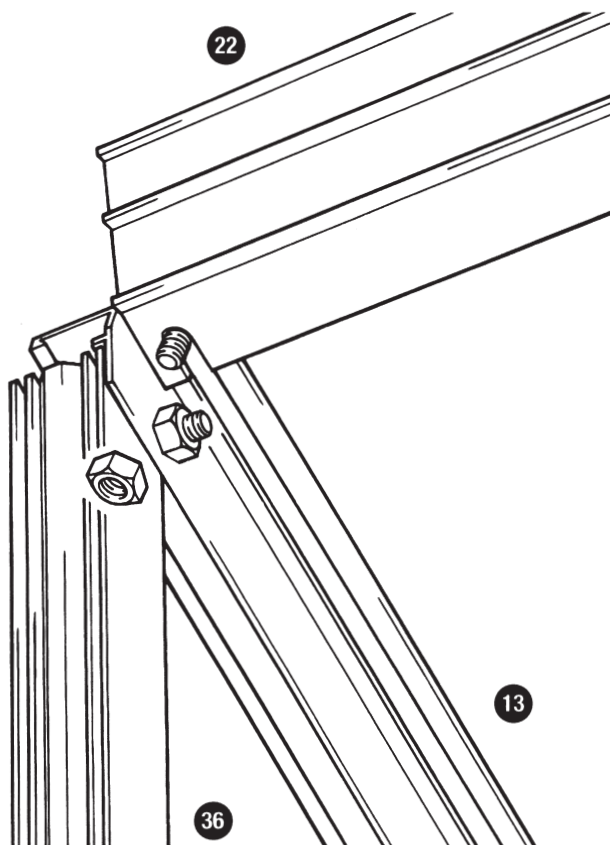
Fixing of gable ends to front section

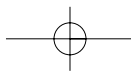
1. Slide four bolts into each gable bar (13) and (14) channel (one at each end & two near the middle) and secure with nuts (finger tight).
2. Slide two bolts into each corner post (5) and (11) channel (top & bottom) and secure with nuts (finger tight).
3. Connect rear gable end to side section and bolt together at sill and eaves. Connect door gable end to side section in the same manner.
4. Locate ridge bar (22) so that slots at either end are opposite the channels in each gable bar. Secure with nuts and bolts.



Ridge bar, roof glazing bars and vent trimmer

1. Take roof glazing bars (23) and slide two bolt/s into each channel and secure with nut. This will carry the purlins (37) when in position. Decide on where you want to feature your vent/s. For each vent you must position a bolt with nut in the appropriate roof glazing bar channel to carry the vent trimmer (27).
2. Secure roof glazing bars (23) to ridge (22) and eaves (2) using square headed bolts and nuts through pre-punched holes provided.
3. Bolt the purlins (37) across roof glazing bars to gable ends. The longer flange of the purlin should be pointing downward. (See page 14 - 37*)



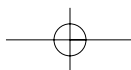
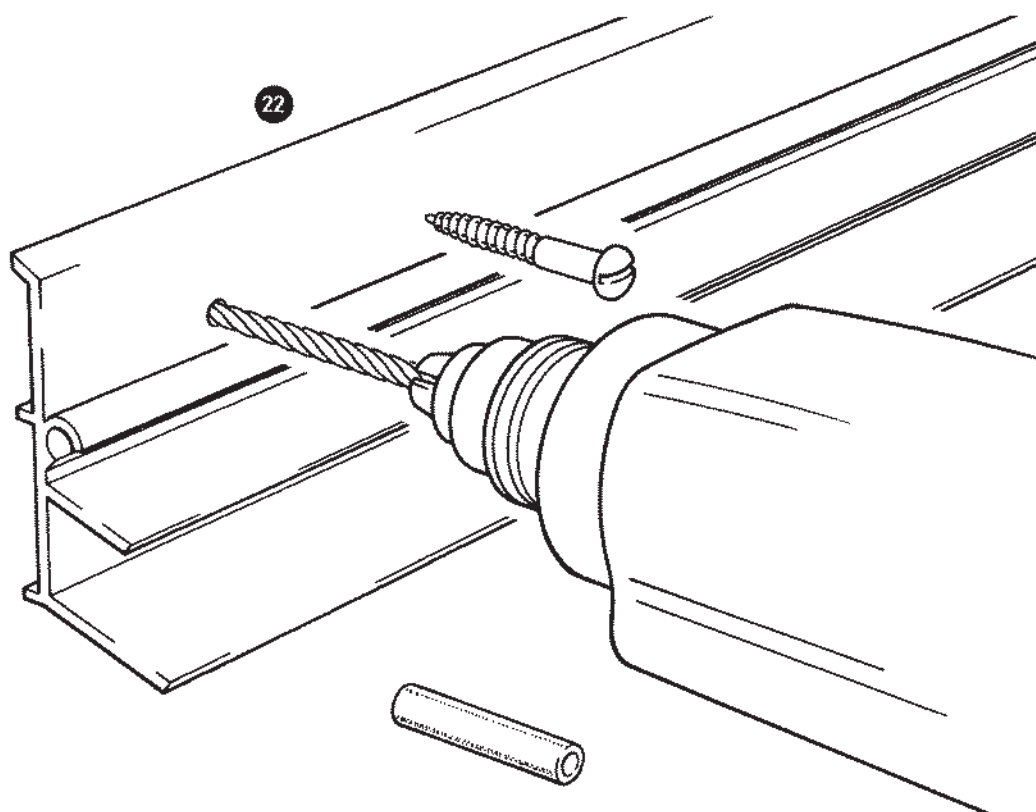


Wall fixing

1. Ensure that a sound fixing can be made to the wall and drill holes in the ridge bar (22) (centrally between roof bars) and wall posts (35) and (36) (4 per post) to take a No. 10 screw.
2. Mark the position of the holes against the wall and drill the wall to take No. 10 rawplugs.
3. Apply mastic to rear face of ridge and wall posts.
4. The lean-to should then be secured to the wall with 1 1/2" x No. 10 round head screws.
5. Seal top of ridge and edge of wall posts before glazing.

Check that you avoid any sag in the centre of the ridge bar when fixing and avoid over tightening the screws as this may distort the bars.

Where the lean-to is being secured to an uneven wall surface it is best to place a timber support plate between the frame and wall.



Vent Assembly

Stage 8

The vent assembly is made up of a vent hinge (24), two sides (25), a sill (26) and is glazed with a sheet of glass 610mm x 610mm.

Assemble casement stay (72) to vent sill (26) using screws (73).

1. Check that glazing cord is fitted to vent side pieces.

2. Place two bolts through the pre-punched holes in the hinge (24), slide both vent sides (25) over the bolt heads and secure with nuts.

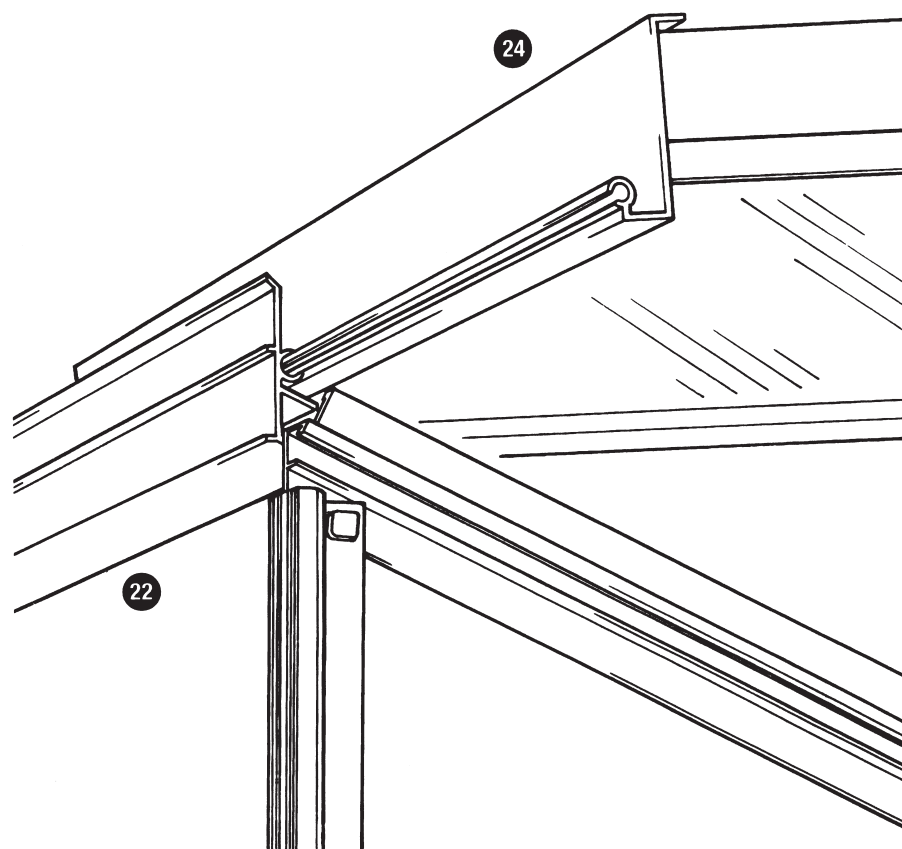
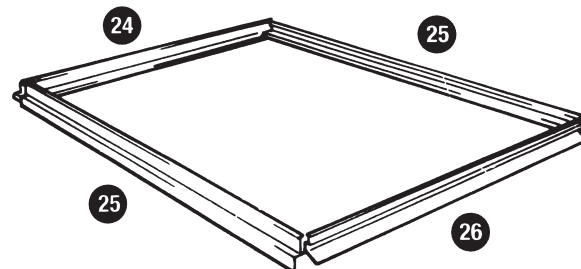
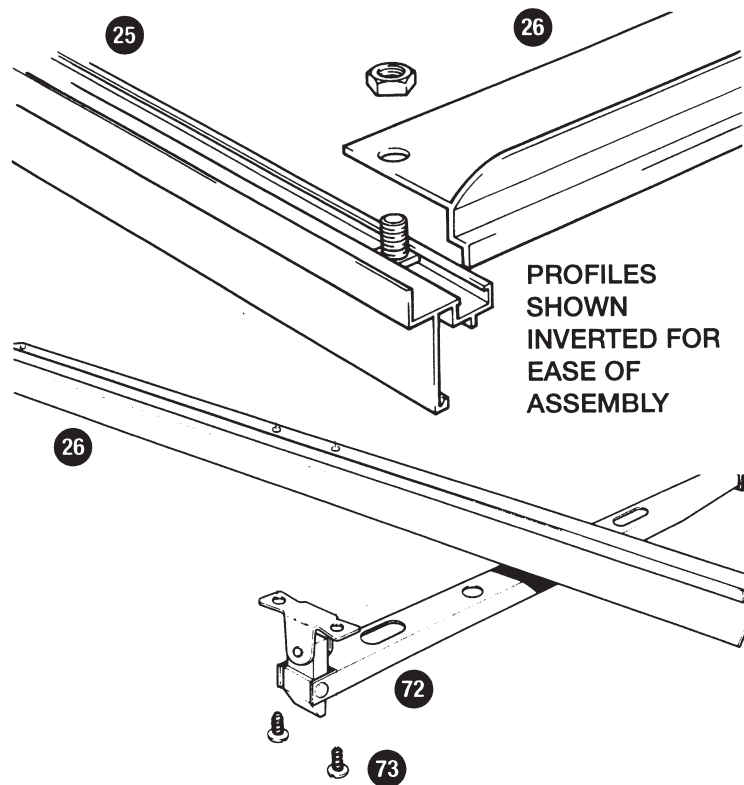
3. Place two further bolts in the vent sides (25) and locate holes in vent sill (26) onto threads and secure with hexagonal nut.

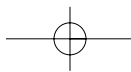
4. Check that the vent is square and tighten the nuts all round.

5. Glaze the vent by using four steel spring wire glazing clips (44).

6. The vent hinge (24) fits into a receiving loop on the ridge. Apply lubricant to these sections and slide vent/s gently into place.

7. Secure vent trimmer (27) (loosely at this stage) to roof glazing bars using bolts previously positioned. Note that final position of trimmer (27) will be determined when roof glazing is complete.





Glazing

Wait until you can glaze the entire lean-to in one session. Do not under any circumstances leave greenhouse partly glazed.

1. Check that you have fitted all glazing cord before you begin to glaze.

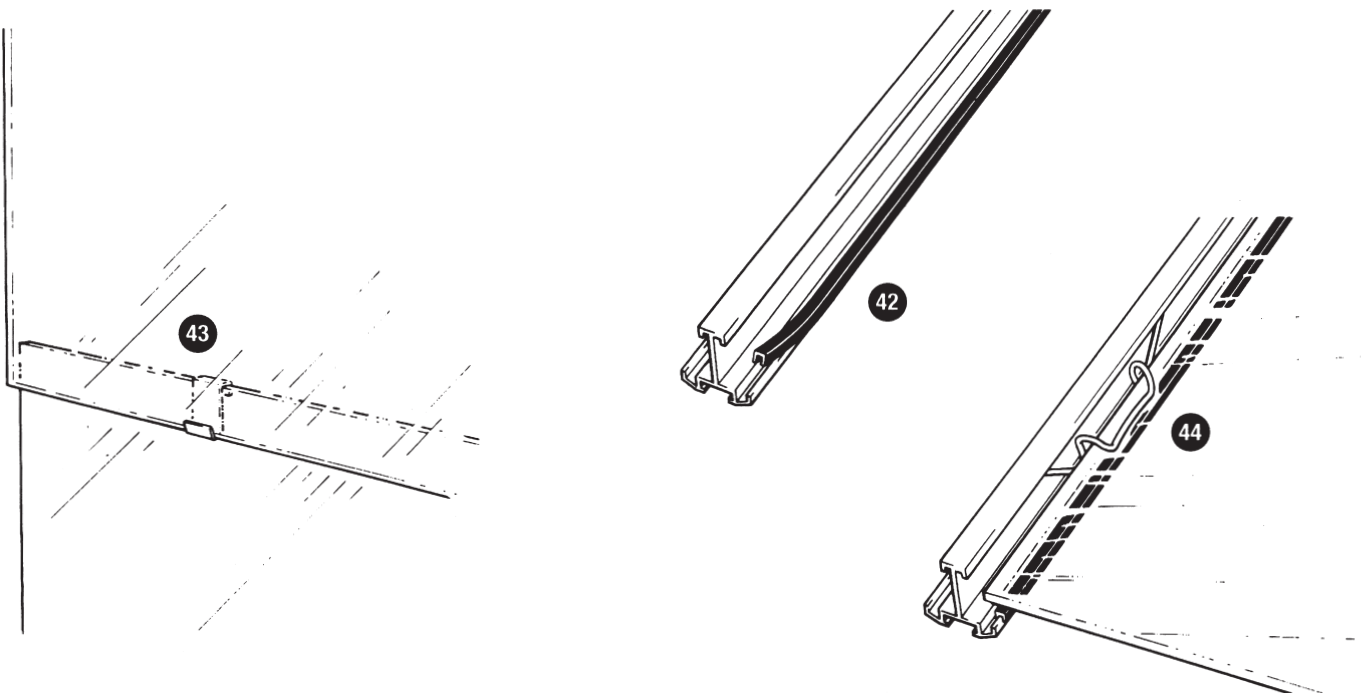
Roof glazing

1. Begin by glazing the roof. Start from the gutter (2) and proceed to clip each pane of glass with four steel spring wire glazing clips.
2. Fit two glass support clips (43) to each upper edge of panel and seat next pane within support clips. Clip in similar manner as before.

Always complete one bay before starting next.

Sides

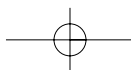
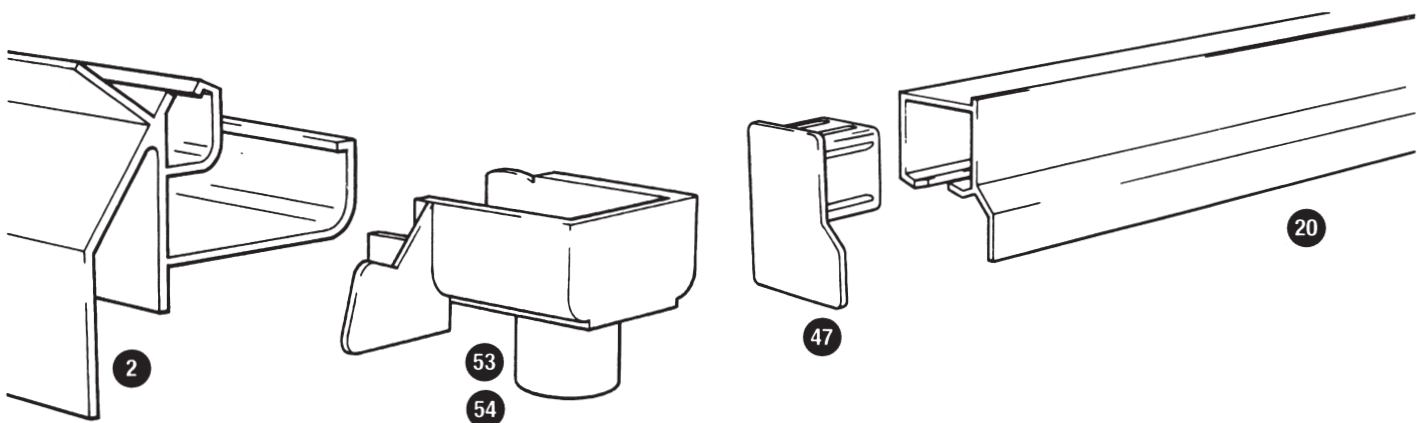
1. Proceed to glaze sides and gable ends starting at base using 4 clips per pane of glass.



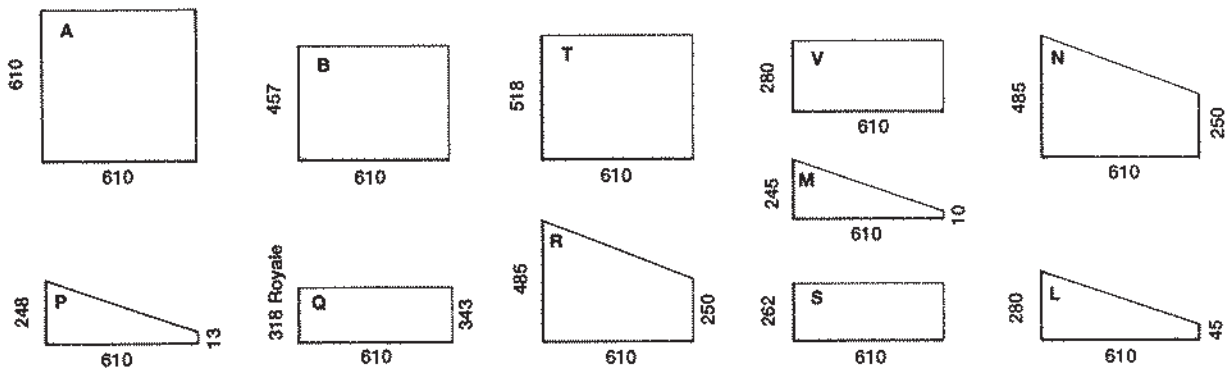
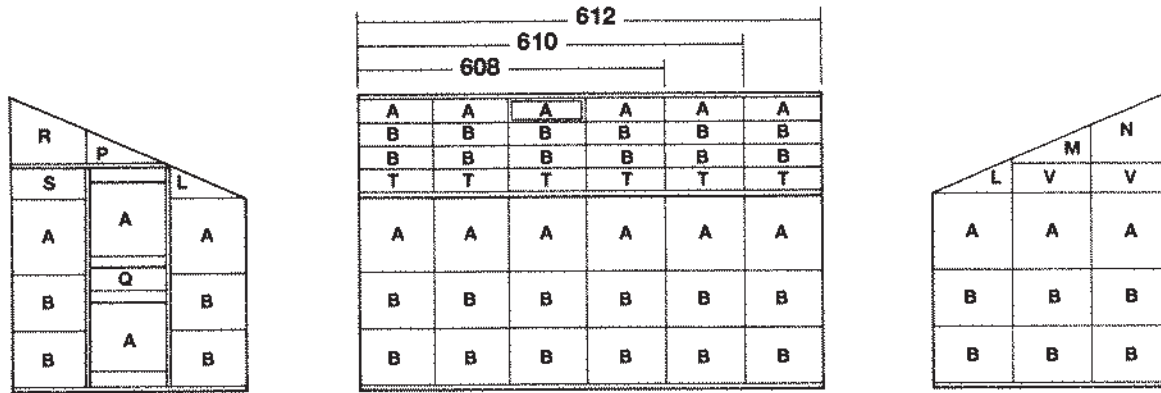
Anchoring of lean to

Where the greenhouse is sited on a concrete, paved or other solid surface, the sill should be secured to the solid surface with screws and plugs. The same will apply to the Royale models if on a hard standing, you will in this instance not be able to use the ground anchors as supplied, but you will need to cut off the top of the ground anchors to use as corner brackets.

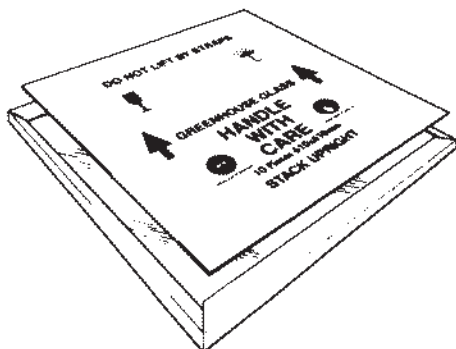
Plastic end stops



Glazing plans



GLASS PACK QUANTITIES



LEAN TO 608:
 1 x 610 x 610 green
 2 x 610 x 457 blue
 2 x supplementary red

LEAN TO 610:
 1 x 610 x 610 green
 3 x 610 x 457 blue
 2 x supplementary red

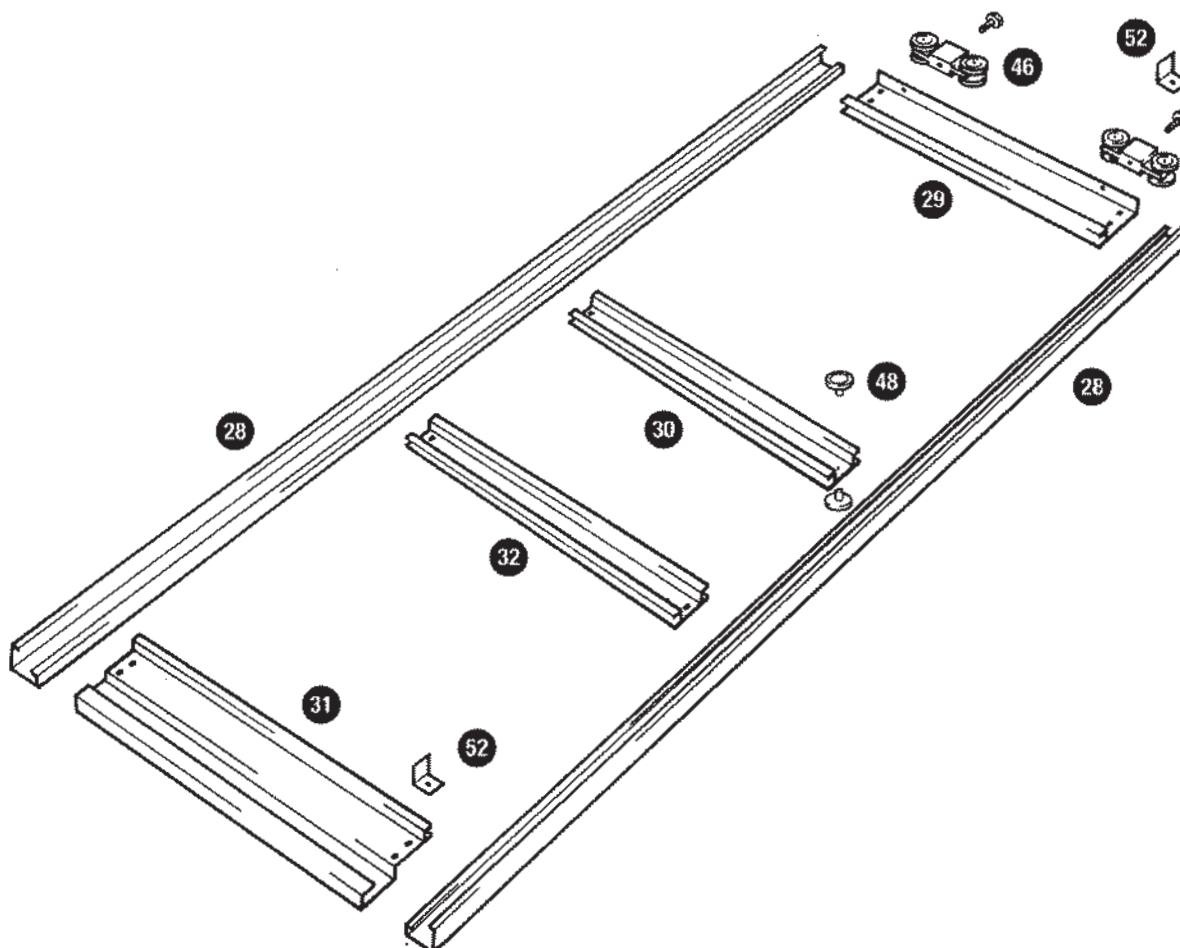
LEAN TO 612:
 2 x 610 x 610 green
 3 x 610 x 457 blue
 2 x supplementary red

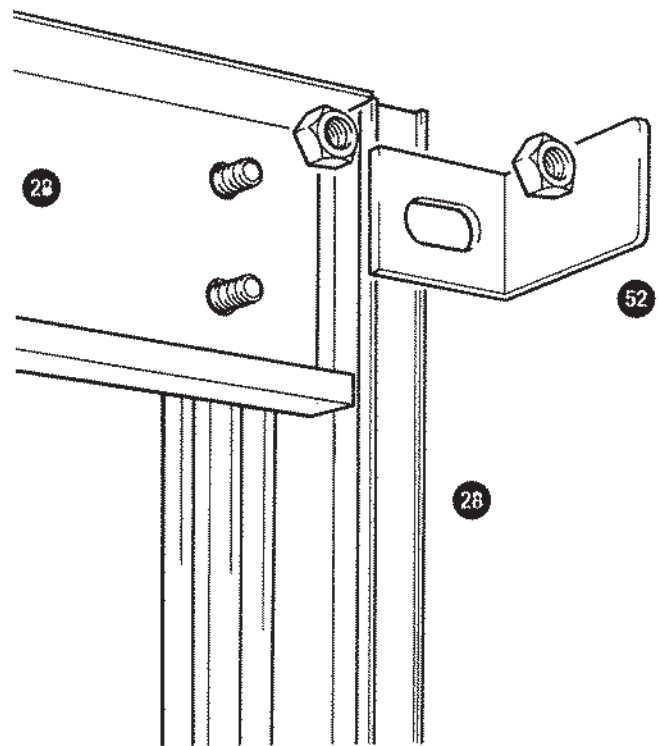
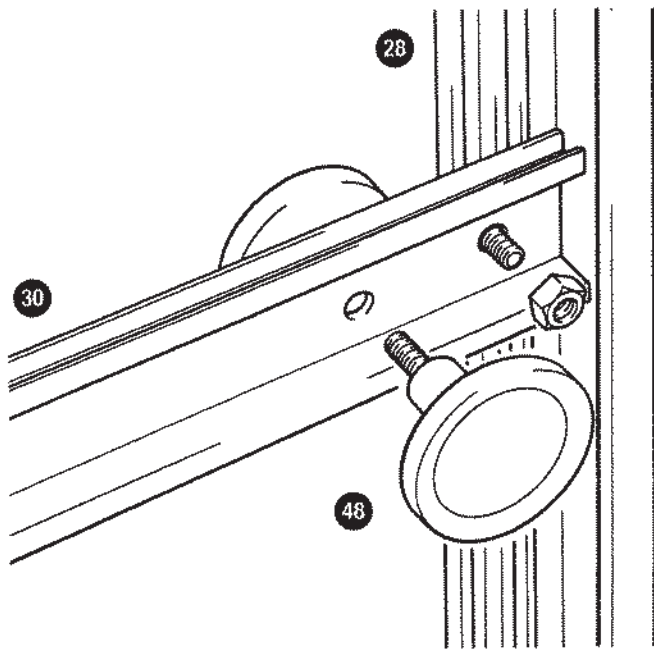
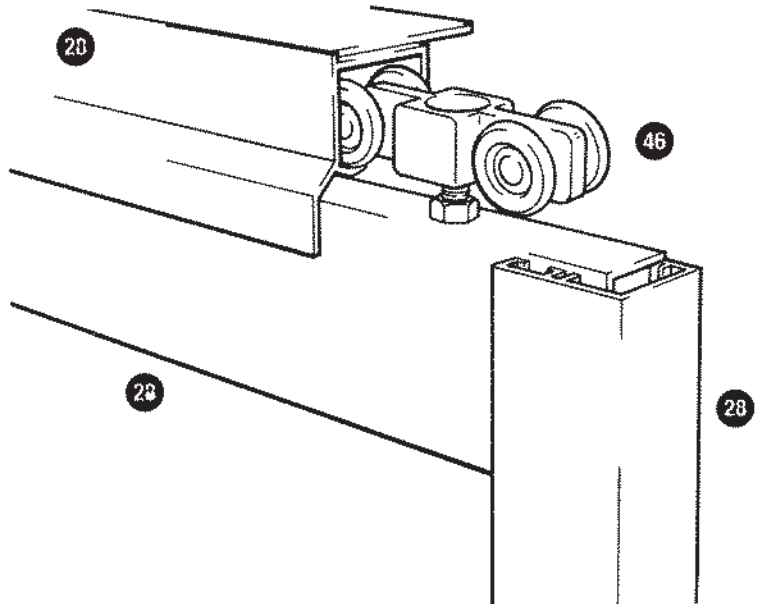
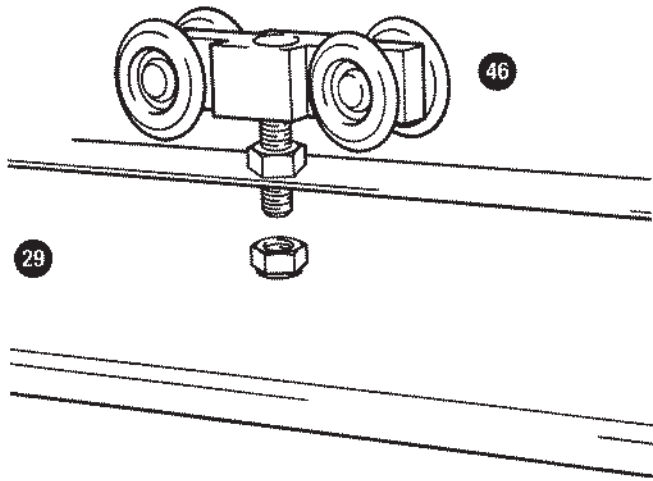
Door Assembly

Stage 10

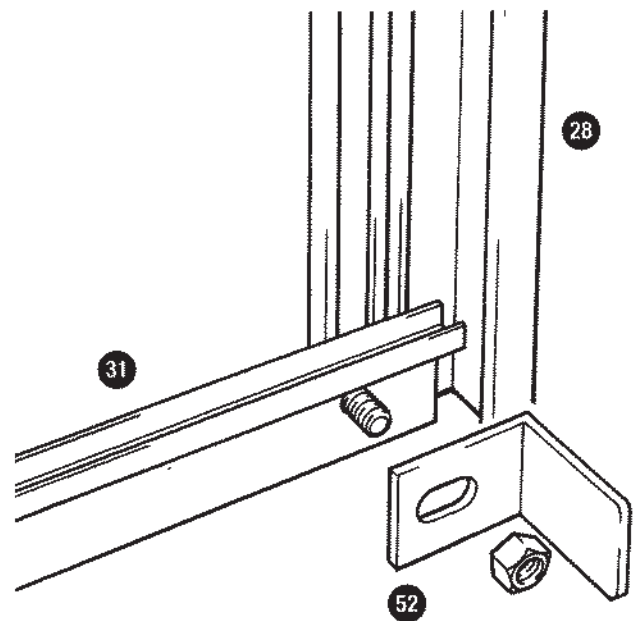
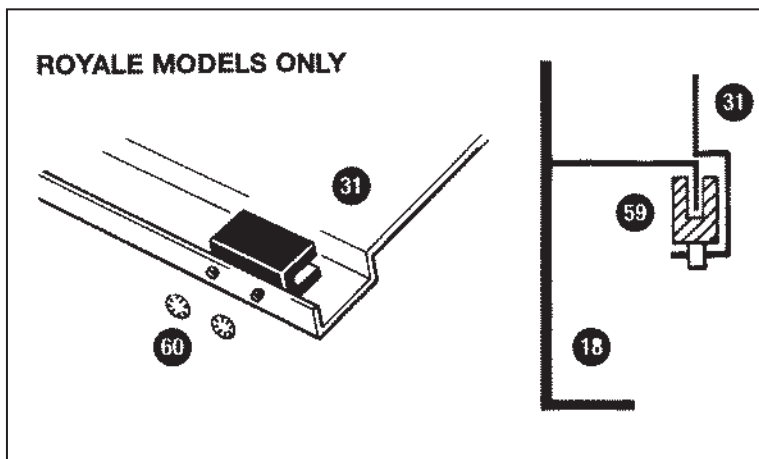
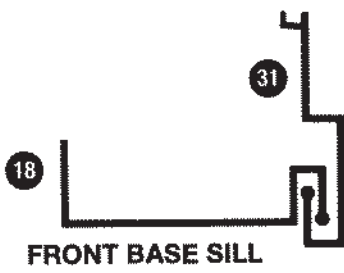
1. Lay out the door components - two stiles (28), top rail (29) and bottom rail (31) and central rails 30 & 32.
2. Fit two door rollers to top rail (29) as shown in the diagram. Apply a little light oil to each roller (46).
3. Loosely bolt top (29) and bottom rails (31), and central rails (30) and (32), to stiles (28) as shown. The top rail (29) should fit closely to the top of the sides (28).
4. Check that you have fitted glazing strip.
5. Glaze with three panes of glass using spring glazing clips.
6. Tighten all nuts and bolts.
7. Hang the door by inserting the rollers into the door track (20) and locating door guides (Royale only) on the lower flange of the front sill (18). Adjust door rollers to ensure smooth running and correct alignment of door with door posts (16).
8. Bolt the door handles (48) to centre door rail (30) through hole provided.

We strongly recommend that you fit a protective guard - e.g. stout mesh on supporting frame - at the eaves of your house to prevent snow or tiles falling onto your lean-to from your roof.





BOTTOM DOOR RAIL



12 YEAR WARRANTY

Eden Halls Greenhouses Ltd. hereby agrees (subject to satisfaction of the Conditions referred to below) to make good free of charge by replacement or repair (at our election) any defects which we shall discover upon examination to be due to be faulty materials, components or workmanship which may appear in our greenhouse kits within 12 years of the date of despatch from our factory.

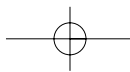
CONDITIONS OF WARRANTY CLAIM

(Each of which must be fulfilled before any warranty claim shall arise.)

1. That the claim is not attributable to any fault or damage arising from impact, modification, inappropriate use or treatment, incorrect handling or exposure to corrosive conditions, or the greenhouse being kept or installed other than under normal conditions, or to war, or act of God.
2. That the greenhouse must not have been repaired or serviced by any other than a qualified person employed by us.
3. That our instructions as to the assembly and the use of the greenhouse and its base have been strictly complied with.
4. That the claim is made by you as the original customer for your benefit.
5. That the detailed claim is notified to us in writing within 30 days of the date of discovery thereof.

GENERAL CONDITIONS OF WARRANTY

1. This warranty does not cover the cost of labour for the removal and replacement of any parts or parts replaced free of charge; such costs being the liability of the customer.
2. This warranty is only applicable to the greenhouse aluminium framework and ancillary parts forming the kit despatched and specifically excludes glass breakage.
3. This warranty is personal to you and is incapable of transfer and/or assignment.
4. This warranty does not extend beyond the cost of any faulty component referred to above.
5. This warranty applies in the United Kingdom only.



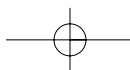
CUSTOMER SERVICES

We have taken every care in the manufacture of this product to ensure that it gives complete satisfaction. In the unlikely event that damage has occurred in transit, or a shortage of components is evident, please complete the details below and return to:

Eden Greenhouses Ltd.
 Customer Services Dept.
 The Distribution Centre
 Stoke Orchard
 Cheltenham, Glos. GL52 7RS

For free of charge replacement, notification of shortages or damage must be made to us using this form within ten days.

Name:	Initials:	Title (Mr, Mrs etc):
Address:		
Telephone:		
Date:	Product purchased:	
Proof of purchase attached:	Date of purchase:	
Supplier:		
Description of complaint/shortage:		



PACKING LIST FOR LEAN TOS

608 608 Royale 610 610 Royale 612 612 Royale

	608	608 Royale	610	610 Royale	612	612 Royale
FRONT BASE	1	1	1	1	1	1
REAR BASE	1	1	1	1	1	1
SIDE BASE	1	1	1	1	1	1
PURLIN	2	2	2	2	2	2
RIDGE BAR	1	1	1	1	1	1
FRONT SECTION	1	1	1	1	1	1
REAR SECTION	1	1	1	1	1	1
SIDE SECTION	1	1	1	1	1	1
DOOR RAILS	4	4	4	4	4	4
DOOR STILES (2) SIZE IN MM	1700	1715	1700	1715	1700	1715
ROOF GLAZING BARS	3	3	4	4	5	5
VENT ASSEMBLY	1	1	2	2	2	2
DOOR KIT & 'Z' CLIPS	80	80	90	90	100	100
NUTS & BOLTS	118	118	129	129	136	136
SPRING WIRE GLAZING CLIPS	222	222	250	250	278	278
GLAZING CHANNEL	64m	64m	84m	64m	81m	81m
SEALANT	1	1	1	1	1	1
GROUND ANCHORS		2		2		2
INSTRUCTION MANUAL	1	1	1	1	1	1

EMM/106/06/97

PACKED BY

