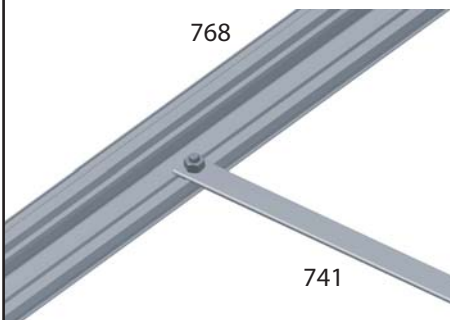


AFTER STEP 5 IN THE ASSEMBLY INSTRUCTION , ON PAGE 15, PLEASE FOLLOW STEP 5A,5B,5C AND 5D BEFORE STEP 5 PAGE 15 IN THE ASSEMBLY INSTRUCTION

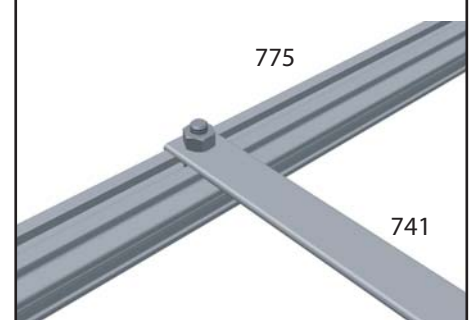
5A



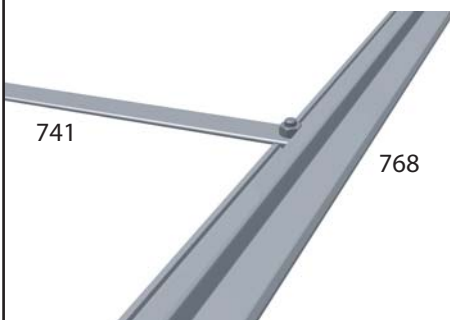
5B

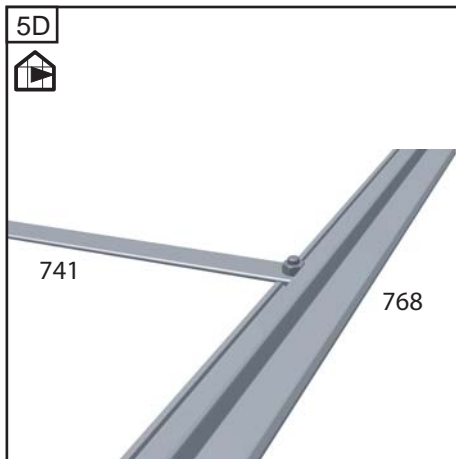
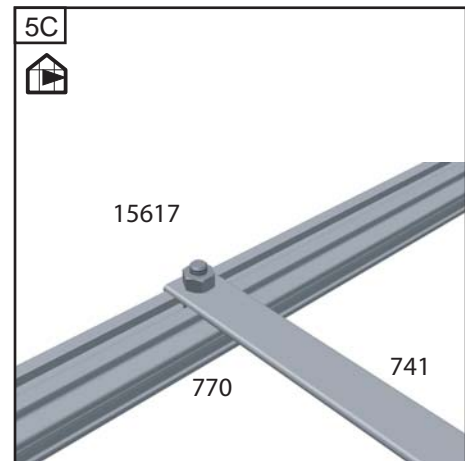
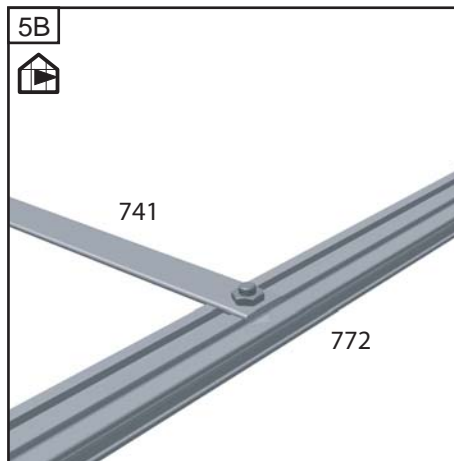
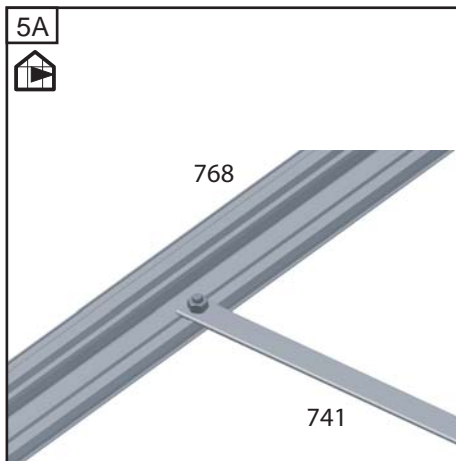
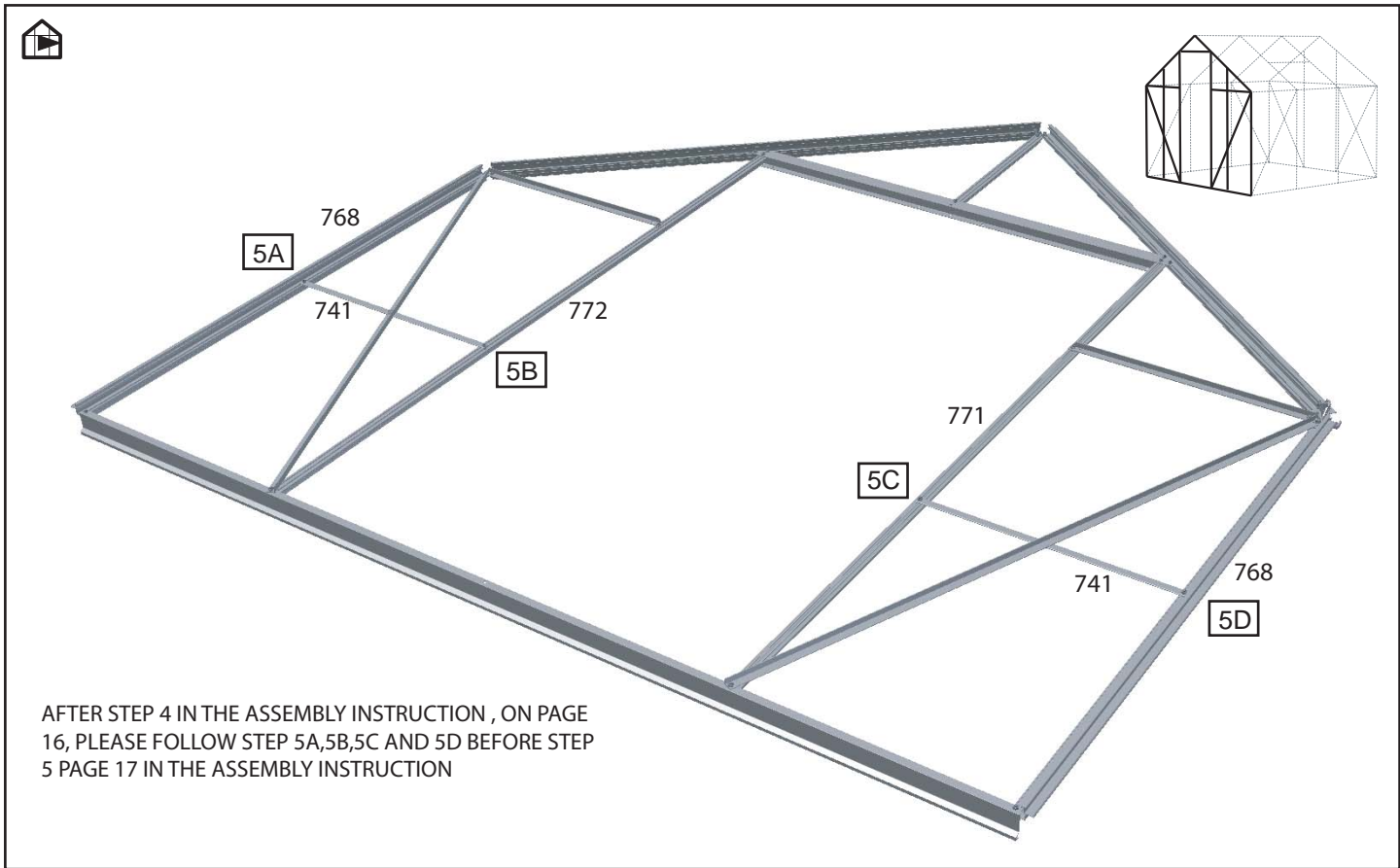


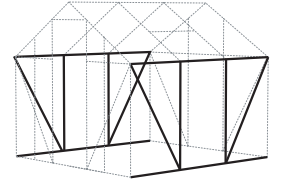
5C



5D







CONNECT TO GABLE WITH BOLT AND NUT, WHEN CONNECTING GABLE END AND SIDE TOGETHER



PLEASE FOLLOW 5 AND 6 AFTER ASEMBELLING STEP 4 IN THE ASSEMBLY INSTRUCTION PAGE 18

5



6

