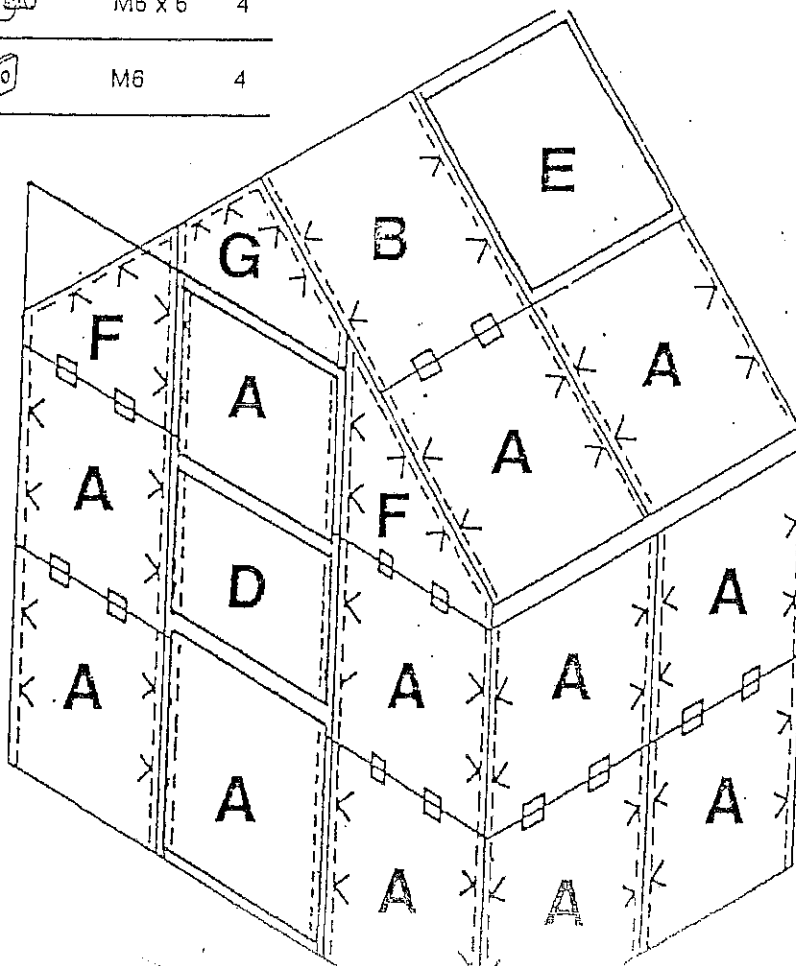
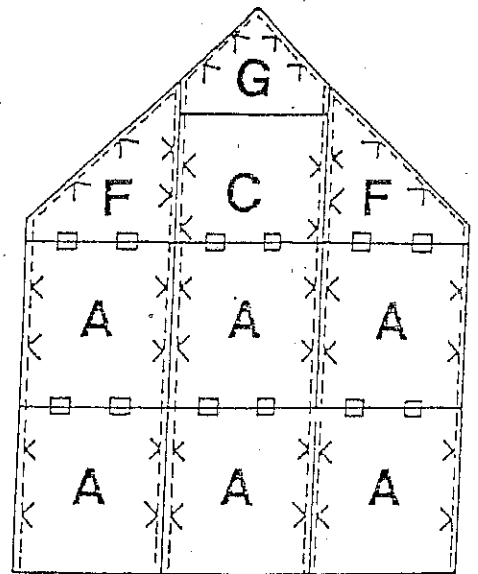
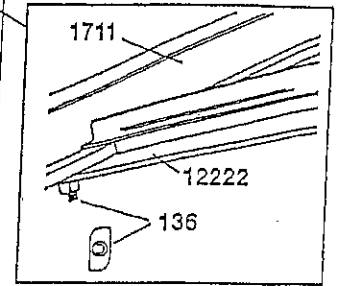
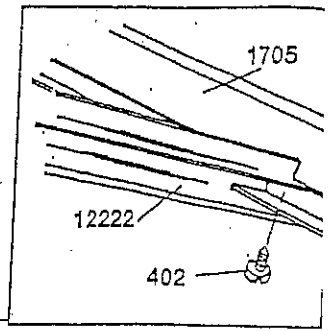
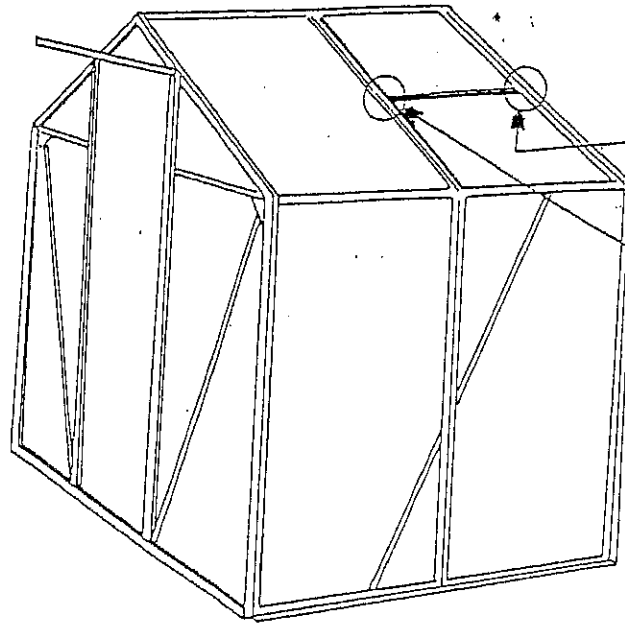


# 46

FOR BUILDING WITH ROOF VENT

ZUSAMMENBAU FÜR  
GEWÄCHSHAUS MIT 1 DACHFENSTER

| No.   |  | mm        | Qty. |
|-------|--|-----------|------|
| 12222 |  | 625       | 1    |
| 01738 |  | 602       | 1    |
| 08632 |  | 602       | 1    |
| 01730 |  | 522       | 2    |
| 08617 |  |           | 1    |
| 08616 |  |           | 2    |
| 00402 |  | No. 6 x 6 | 7    |
| 00136 |  | M6 x 10   | 1    |
| 00697 |  | M6        | 1    |
| 08588 |  |           | 1    |
| 12220 |  | M6 x 6    | 4    |
| 12221 |  | M6        | 4    |



|   | Glass Size mm   |    |
|---|-----------------|----|
| A | 610 x 610       | 24 |
| B | 610 x 544       | 3  |
| C | 610 x 467       | 1  |
| D | 610 x 228.5     | 1  |
| E | 600 x 544       | 1  |
| F | 610 x 464 Bevel | 4  |
| G | 610 x 233 Bevel | 2  |

To fit the Roof Vent Sill (12222) to the Gable End Bar (1705) it is necessary to drill a hole, 3.2 mm in diameter, into the Gable Bar. The Hole must be positioned at 590mm from the square cut end (Gutter End) of the bar and 8mm from the edge.

